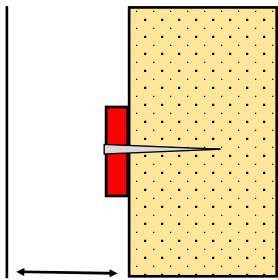


# VFB KIT - Fixing Method Index

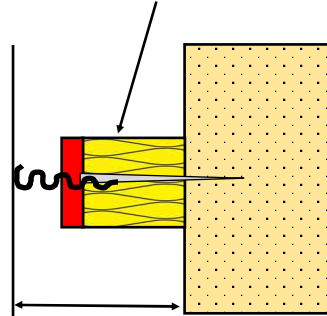
## No Insulation: 25 - 35mm Air Gap (60 Min Fire Rating)



- Staple seal to substrate (14mm long staples)
- Or
- Screw to substrate with suitable fixing
- (See important notes overleaf)

Up to 39mm cavity

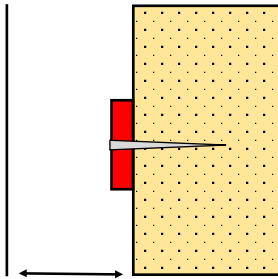
Mineral Wool = Cavity size less 29mm / 39mm



- Fix mineral wool to substrate with suitable fixing (See important notes overleaf)
- Pigtail seal on to Mineral Wool at 250mm centres. Leave Pigtails proud to maintain required air gap.

40mm - 135mm cavity

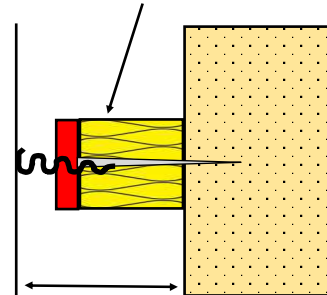
## No Insulation: 46mm Air Gap (30 Min Fire Rating)



- Staple seal to substrate
- Or
- Screw to substrate with suitable fixing
- (See important notes overleaf)

Up to 50mm cavity

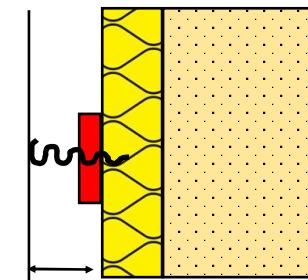
Mineral Wool = Cavity size less 50mm



- Fix mineral wool to substrate with suitable fixing (See important notes overleaf)
- Pigtail seal on to Mineral Wool at 250mm centres. Leave Pigtails proud to maintain required air gap.

51mm - 135mm cavity

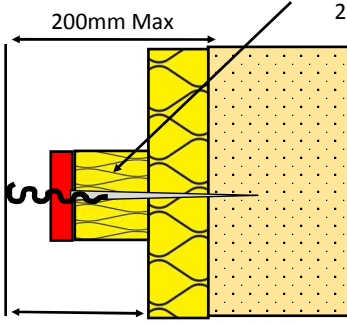
## Existing Mineral Wool: 25—35mm Air Gap (60 Min Fire Rating)



- Fix seal to Mineral Wool with Pigtail Screw, max. 250mm centres.
- Pigtail screws should be left proud to maintain required air gap.

Up to 39mm cavity

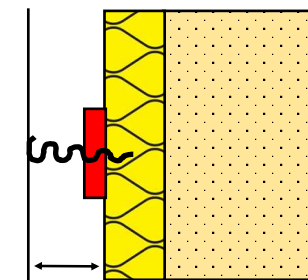
Mineral Wool = Air gap after insulation less 29mm / 39mm



- Fix mineral wool to substrate with suitable fixing (See important notes overleaf)
- Pigtail seal on to Mineral Wool at 250mm centres. Leave Pigtails proud to maintain required air gap.

> 40mm cavity

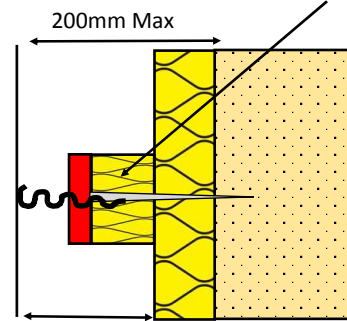
## Existing Mineral Wool: 46mm Air Gap (30 Min Fire Rating)



- Fix seal to Mineral Wool with Pigtail Screw, max. 250mm centres.
- Pigtail screws should be left proud to maintain required air gap.

Up to 50mm cavity

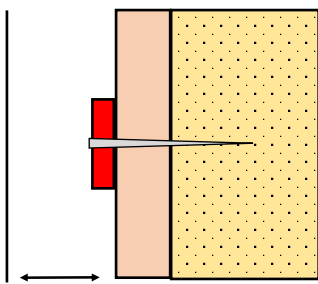
Mineral Wool = Air gap after insulation less 50mm



- Fix mineral wool to substrate with suitable fixing (See important notes overleaf)
- Pigtail seal on to Mineral Wool at 250mm centres. Leave Pigtails proud to maintain required air gap.

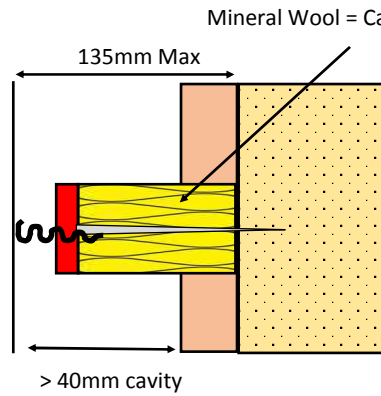
> 50mm cavity

**Existing Kingspan K-15: 25 - 35mm Air Gap (60 Min Fire Rating)**



- Fix seal directly through K-15 into substrate using suitable fixing.
- Recommended fixing type by EJOT.
- (See important notes below)

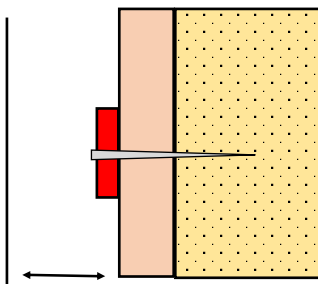
Up to 39mm cavity



Mineral Wool = Cavity size less 29mm / 39mm

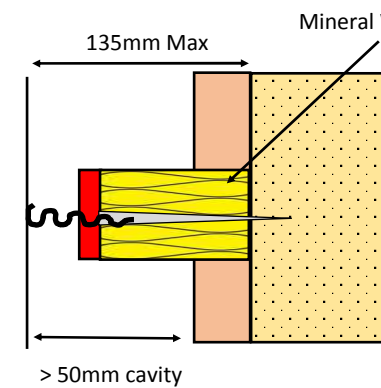
- Cut back Kingspan K-15 & fix Mineral Wool to substrate with suitable fixing (Recommended fixing type by EJOT)
- Pigtail seal on to Mineral Wool at 250mm centres. Leave Pigtails proud to maintain required air gap.

**Existing Kingspan K-15: 46mm Air Gap (30 Min Fire Rating)**



- Fix seal directly through K-15 into substrate using suitable fixing.
- Recommended fixing type by EJOT.
- (See important notes below)

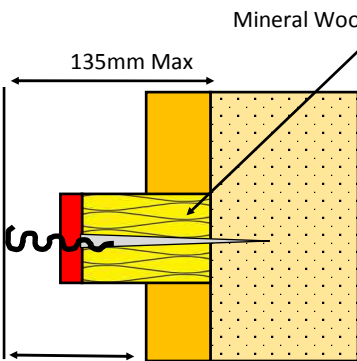
Up to 50mm cavity



Mineral Wool = Cavity size less 54mm

- Cut back Kingspan K-15 & fix Mineral Wool to substrate with suitable fixing (Recommended fixing type by EJOT)
- Pigtail seal on to Mineral Wool at 250mm centres. Leave Pigtails proud to maintain required air gap.

**Existing Insulation (other): 25—35mm Air Gap (60 Min Fire Rating)**

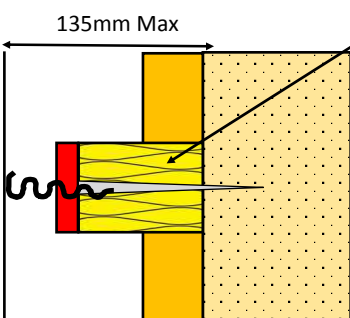


Mineral Wool = Cavity size less 29mm / 39mm

- Cut back insulation & fix Mineral Wool to substrate with suitable fixing (Recommended fixing type by EJOT)
- Pigtail seal on to Mineral Wool at 250mm centres. Leave Pigtails proud to maintain required air gap.

> 25mm cavity

**Existing Insulation (other): 46mm Air Gap (30 Min Fire Rating)**



Mineral Wool = Cavity size less 50mm

- Cut back insulation & fix Mineral Wool to substrate with suitable fixing (Recommended fixing type by EJOT)
- Pigtail seal on to Mineral Wool at 250mm centres. Leave Pigtails proud to maintain required air gap.

> 50mm cavity

**IMPORTANT INFO:**

- **Screw fixing: Min 50mm embedment / fixing depth for masonry / concrete and 25mm in timber constructions**
- **Maximum screw head size 11.5mm dia. (Trumpet / countersunk type head only)**
- **Ensure sufficient length of fixing to fix through insulation and into back substrate**
- **Washers are not permitted**
- **Fixing to OSB faces of timber stud partitions would be expected to coincide with structural timber elements**
- **Pigtail Screws to be fixed at max. 250mm centres and left proud to maintain air gap**
- **For cavities greater than 135mm please contact Astroflame**