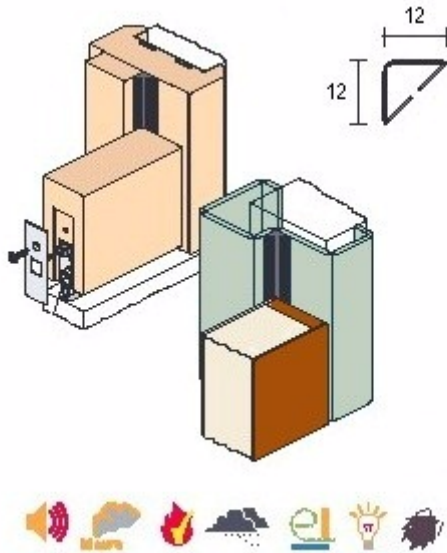


## Acoustic & Smoke Perimeter Seals

### Trade Names: ASTRO ASP Seal :



**Acoustically and Smoke tested on proprietary fire doors and conforms to BCA spec. C3.4 200C**

**Equivalent to BS476 part 20 and 22**

**Suitable for new and retrofit**

**Easy to install**

**Black, Brown or White**

**RAL Colours / Wood effect to special order**

**Door Botom Seals  
- rebated or surface mounted**

### Description

A co-extruded PVC, acoustic and smoke perimeter self adhesive seal. Located in the protected corners of rebated timber or steel door frames / sets.

ASTRO ASP SEALS have been acoustically and smoke tested on proprietary fire doors and conforms to BCA spec. C3.4 200° C Medium temperature (smoke doors), equivalent to BS476 part 20 and 22. Suitable for new and retrofit applications the seals are quick and easy to apply. Located around rebated frames of single or double broad butt hinged doors and windows. The Min / Max Gap is 3mm to 5.5mm.

The Astro Acoustic & Smoke Perimeter seal is manufactured from a rigid and flexible flame retardant PVC, complete with an aggressive self adhesive backing tape on both sides of the rigid carrier.

For full acoustic and smoke sealing the ASTRO Acoustic & Smoke Perimeter seal should be used in conjunction with a rebated, semi morticed or surface mounted door bottom seal and where required acoustic & perhaps disabled access threshold seal.

### Availability

2100mm lengths  
Single Door Sets (2x2100mm, 1 x 1000mm)  
Double Door Sets (3x 2100mm)

Colours:  
Black, Brown or White  
RAL Colours / Wood effect to special order

## To Order & Specify

Please Quote : QTY / TRADE NAME / TYPE / COLOUR / PRODUCT REF

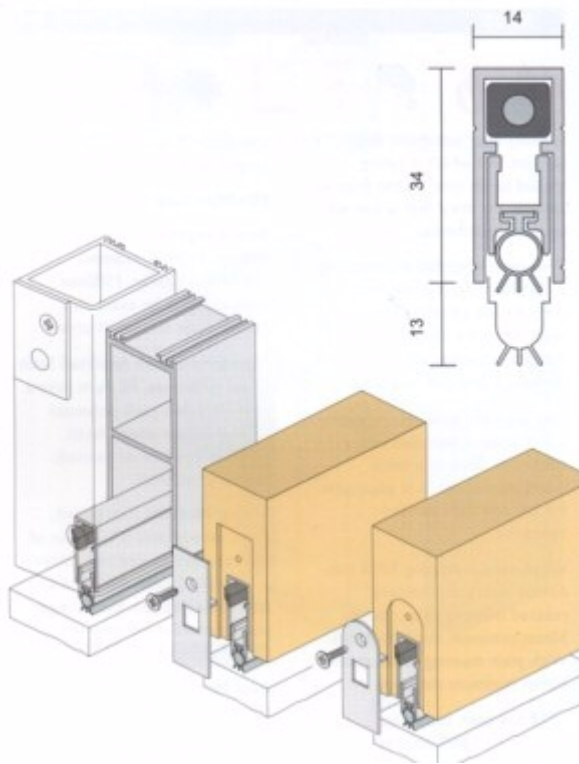
Typical wording

10 / ASTRO ASP SEAL / SINGLE DOORSET / BLACK / AFASP/SD/BLK

10 / ASTRO ASP SEAL / 2100MM / WHITE / AFASP/WHT

## ASTRO ASDBSEAL

### REBATED VERSION



A hot smoke automatic door bottom seal, with an extruded silicon sealing component, that conforms to the 200 degrees Celsius requirement of BCA c3.4.

**ASTRO ASDB SEAL** is spring loaded to lift clear of the floor as soon as the door leaf is opened by a few millimetres

Mounted into a 15mm x 34mm groove that has been morticed into the bottom edge of the door, it is operated automatically by pressure against the door jamb on its adjusting screw.

Tested for durability 1,000,000 cycles completed without failure.

Suitable for Single and double, butt hinged doors.

### Min/Max Gap

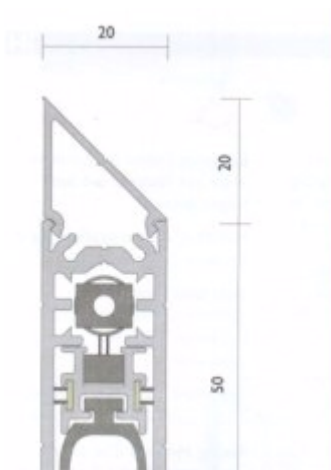
3mm/13mm.

### Seal Lengths

380mm, 600mm, 820mm, 915mm, 1070mm, 1220mm (max). Seal cut back to exact size

Anodised Satin Clear finish

### SURFACE MOUNTED VERSION



**ASTRO ASDB/SM SEAL** is a heavy duty automatic door bottom seal which is spring loaded to lift clear of the floor as soon as the door leaf is opened by a few millimetres.

An acoustically designed seal for face mounted, semi morticed or fully morticed applications. It is operated automatically by pressure against the door jamb on its adjustment block and seals when the door closes and retracts automatically when the door is opened.

Tested for durability, 1,000,000 cycles completed without failure. Conforms to the 200 degrees Celsius requirement of BCA c3.4 spec, for fire rated & medium smoke doors.

All fitting options have been tested and approved on fire doors to 120 minutes

Suitable for single and double broad butt hinged doors.

Face fix, fully and semi morticed applications.

Minimum door thickness 40mm recommended.

**Min/Max Gap** 1mm/19mm.

Seal Lengths

380mm, 600mm, 720mm, 820mm, 915mm, 1070mm and 1200mm. Seal cut back to exact size.

Anodised satin clear finish

### **To Order & Specify**

Please Quote : QTY / TRADE NAME / SIZE / PRODUCT REF

Typical wording

10 / ASTRO ASDB SEAL / 915MM / AFASDB/915

10 / ASTRO ASDBSM SEAL / 1070MM / AFASDB/SM/1070

### **Fire Test And Assessment Reports**

For additional testing, or technical information please contact ASTROFLAME FIRESEALS LTD.

### **Health And Safety**

This product presents no known Health problems.

### **Installation**

Please refer to our installation sheet that comes with the product

Issue 06/07

As part of our policy of ongoing improvements, we reserve the right to modify, alter or change product specifications without giving notice. Product illustrations are representations only. All information contained in this document is provided for guidance only, and as ASTROFLAME FIRESEALS LTD has no control over the installation methods of the products, or of the prevailing site conditions, no warranties expressed or implied are intended to be given as to the actual performance of the products mentioned or referred to, and no liability whatsoever will be accepted for any loss, damage or injury arising from the use of the information given of products mentioned or referred to herein.

The above information to the best of our knowledge is true and accurate and based upon current test data and is supplied for your guidance only. Customers should satisfy themselves to the suitability of the product in its intended use and no guarantee is given or implied since the conditions of actual use are beyond our control. ASTROflame (Fireseals) Ltd, disclaim any liability for loss, damage or other expense arising from the use of information, data or products mentioned or referred to and reserve the right to change any details or specifications without notice.

Astroflame (Fire Seals) Ltd. Intumescent House  
Unit 8, The IO Centre, Stephenson Road, Segensworth  
FAREHAM, ENGLAND PO15 5RU

tel 0800 023 2482  
(01329 844500)

fax 0800 023 2483  
(01329 844600)

intl  
tel +44 1329 844500

fax +44 1329 844600

email