

Trade Names: ASTRO ASDB and AFASSBX Seals

## Acoustic & Smoke Rated Door Bottom Seals

Door bottom seals - drop down type.

Acoustically and smoke tested on proprietary fire doors

Aluminium body with self extinguishing PVC rubber coextruded seal and carrier.

Sound reduction up to Rw 51dB\*

Suitable for new and retrofit

Rebated fitting - comes with prefitted screws.

Anodised satin clear finish

Tested to 200,000 cycles.



### Description



#### ASTRO ASDB SEAL - Rebate Fit Version

An automatic door bottom seal which is spring loaded to lift clear of the floor as soon as the door leaf is opened by a few millimetres.

An acoustically designed seal for rebated applications. mounted into a 13mm x 28mm groove that has been morticed into the bottom edge of the door.

It is operated automatically by pressure against the door jamb on its adjusting screw and seals when the door closes and retracts automatically when the door is opened.



Sound Fire Smoke Air DDA Light

Can be fitted inside (lock side using bumper provided) or outside of the door (non lock side).

Click here for the [face mounted door seal](#) version (for timber or metal doors).

Tested for durability 200,000 cycles completed without failure for fire rated smoke doors.

Suitable for all types of wooden doors. 14mm maximum drop, Graduated Scissor action (seal drops on hinge side before lock side).

**Noise Reduction Index** up to Rw 42 dB\*

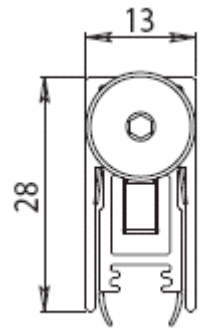
**Min/Max Gap:** 3mm - 13mm.

**Seal Lengths:**

330mm, 430mm, 530mm, 630mm, 730mm, 830mm, 930mm, 1030mm, 1130mm.  
Maximum trimming length 100mm.

Anodised Satin clear finish

Seal easily removed to prevent damage during installation.



**ASTRO AFASDBX DB PLUS SEAL**

An automatic door bottom seal which is spring loaded to lift clear of the floor as soon as the door leaf is opened by a few millimetres.

An acoustically designed seal for rebated applications. mounted into a 15mm x 28mm groove that has been morticed into the bottom edge of the door.

It is operated automatically by pressure against the door jamb on its adjusting screw and seals when the door closes and retracts automatically when the door is opened.

Can be fitted inside (lock side using bumper provided) or outside of the door (non lock side).

Tested for durability 200,000 cycles completed without failure for fire rated smoke doors.  
14mm maximum drop, Graduated Scissor action (seal drops on hinge side before lock side).

Seal easily removed to prevent damage during installation.

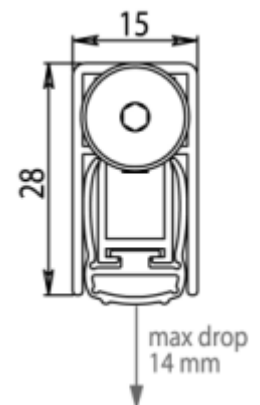
**Noise Reduction Index** up to Rw 51dB\* (DIN EN 20 140 -03)

**Min/Max Gap:** 3mm - 14mm.

**Seal Lengths:**

330mm, 430mm, 530mm, 630mm, 730mm, 830mm, 930mm, 1030mm, 1130mm, 1230mm.  
Maximum trimming length 150mm.

Anodised Satin clear finish



## DB SEAL EXTENSION



### ASTRO AFASDBX/FBEXT AFASDBX/FBBOLT

A unique solution to fitting rebated flush bolts in conjunction with drop down seals.

The DB SEAL Extension works as an extender with the Astro DB Seal Plus drop down seal.

10mm maximum drop and the seal is manually lowered on the handle side.

Also available are 150mm Stainless Steel Flush Bolts (AFASDBX/FBBOLT) with radiused ends designed to work with the DB Seal Extension.

Suitable for double leaf timber doors.



Sound



Smoke



Air



DDA

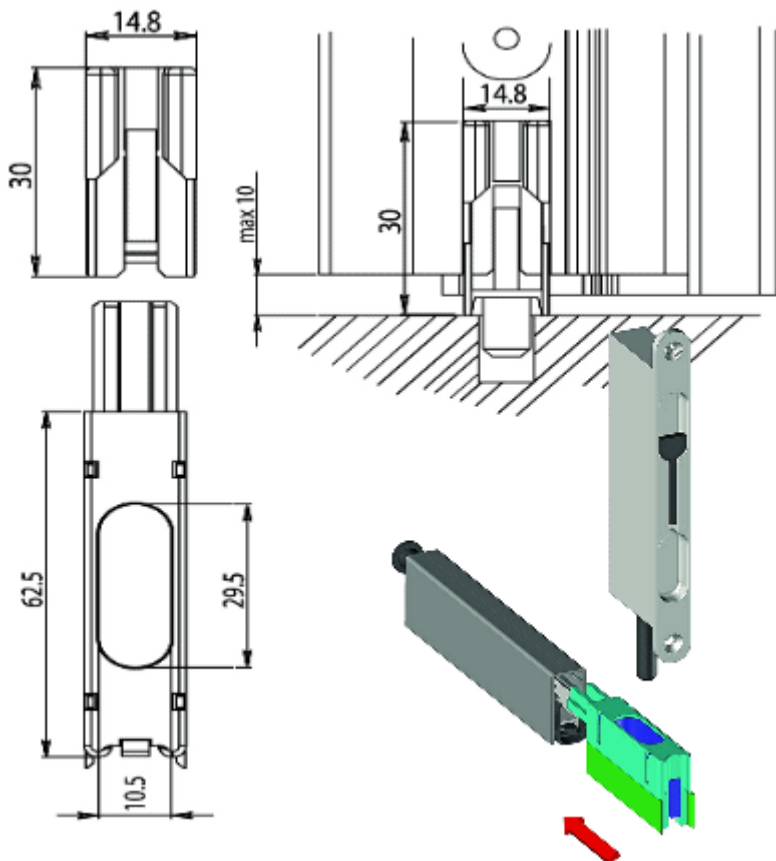


Light

Acoustically and smoke tested on proprietary fire doors.

Noise Reduction Index Rw 35dB.

Dimensions and Schematic Diagram.



## To order & specify

---

Please Quote : QTY / TRADE NAME / PRODUCT REF

Typical wording

10 / ASTRO DB SEAL PLUS EXTENSION / AFASDBX/FBEXT

10 / ASTRO DB SEAL PLUS FLUSH BOLT / AFASDBX/FBBOLT

## Test and Assessment Reports

---

\* The sound reduction rating will vary depending on the door density and any additional threshold & perimeter seals used in conjunction with this product, contact Astroflame for confirmation before specifying.

Seals have been tested without threshold plates and also straight down to carpet.

For additional testing, or technical information please contact Astroflame.

## COSHH Data

---

N/A

## Installation

---

Please refer to our installation sheet that comes with the product

As part of our policy of ongoing improvements, we reserve the right to modify, alter or change product specifications without giving notice. Product illustrations are representations only. All information contained in this document is provided for guidance only, and as ASTROFLAME FIRESEALS LTD has no control over the installation methods of the products, or of the prevailing site conditions, no warranties expressed or implied are intended to be given as to the actual performance of the products mentioned or referred to, and no liability whatsoever will be accepted for any loss, damage or injury arising from the use of the information given of products mentioned or referred to herein.

The above information to the best of our knowledge is true and accurate and based upon current test data and is supplied for your guidance only. Customers should satisfy themselves to the suitability of the product in its intended use and no guarantee is given or implied since the conditions of actual use are beyond our control. ASTROflame (Fireseals) Ltd, disclaim any liability for loss, damage or other expense arising from the use of information, data or products mentioned or referred to and reserve the right to change any details or specifications without notice.

Astroflame (Fire Seals) Ltd. Intumescent House  
Unit 8, The IO Centre, Stephenson Road, Segensworth  
FAREHAM, ENGLAND PO15 5RU

tel 0800 023 2482  
(01329 844500)

fax 0800 023 2483  
(01329 844600)

intl  
tel +44 1329 844500

fax +44 1329 844600

email [sales@astroflame.com](mailto:sales@astroflame.com)

[Homepage.](#)