

Trade Name: ASTRO DUCT WRAP

Intumescent Duct Wrap

Duct Wraps Tested to EN1366-3

European Fire Resistance
Classification:
EI120 minutes (Integrity & Insulation)

Wraps provide up to 2 Hr Integrity & Insulation to rectangular PVC ventilation ducting penetrations.

Simple & quick to install

Low profile design allows installation close soffit

Available to fit most common vent duct sizes

Only one wrap needed per penetration

Tested to EN1366-3 in Plasterboard using [steel sleeves](#).



Description

Duct wraps designed to provide simple and effective fire resistance for up to 2 hours to plastic vent ducting penetrations.

These duct wraps provide 120 minutes integrity and insulation protection having been fire tested in an Open/Open pipe/duct end configuration, to the most onerous requirements of EN 1366-3.

Installation is straightforward due to the four segment design and slide into the wall construction.

Supplied in various sizes to suit all common plastic vent duct dimensions.

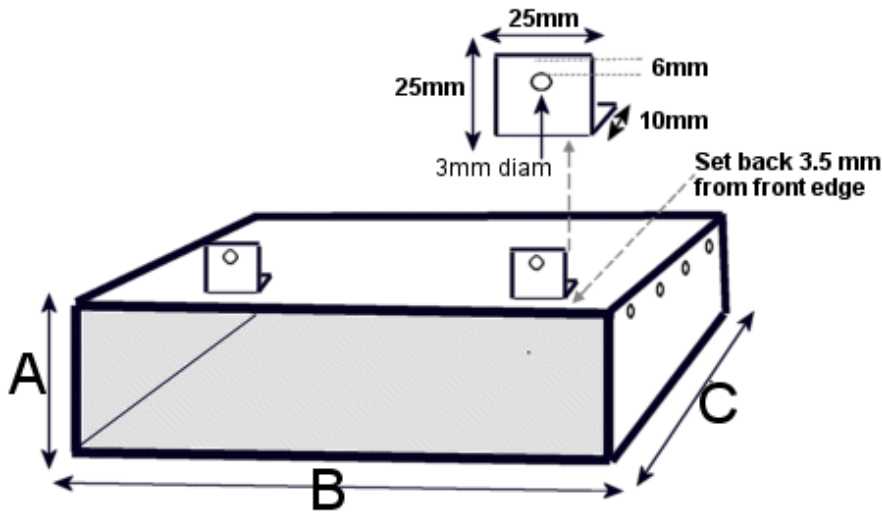
Wraps are either 4mm or 8mm thick - check table below for available wrap sizes.

When fitted within a galvanised steel outer sleeve the duct wraps are suitable for penetrations through plasterboard partitions.

We do not supply steel sleeves ourselves but the dimensions for fabrication are shown below.



Dimensions for spot welded construction sleeves
 - minimum steel thickness 0.8mm



Wrap Size	A Height	B Width	C Length
110 x 54	70	124	141
225 x 25 (234x29)	44	250	141
308 x 29	44	324	141
150 x 70	92	172	141
180 x 95	114	202	141
204 x 60	82	232	141
Ø 100	Ø 128	-	141

Dimensions are a guideline and could be optimised for particular installations.

All dimensions in mm

Availability

CODE	WRAP SIZE	WRAP THICKNESS
AFIDW110	110mm x 54mm	4mm
AFIDW150	150mm x 70mm	8mm
AFIDW180	180mm x 90mm	8mm
AFIDW204	204mm x 60mm	8mm
AFIDW234	234mm x 29mm	4mm
AFIDW308	308mm x 29mm	4mm
AFIDWC100X	Circular 100mm Diam.	8mm

All Duct Wraps are 100mm wide.

To order & specify

Quote: Quantity /Trade name/Product ref/Size/Rating
 Typical wording: 10/ASTRO DUCT WRAP / AFIDW110/110MM/2HOUR

Fire Test and Assessment Reports

Tested to EN1366-3

European Fire Resistance Classification:
 EI120 minutes (Integrity & Insulation)

Health and Safety

See COSHH Sheet.

Installation

Please refer to our install sheet

As part of our policy of ongoing improvements, we reserve the right to modify, alter or change product specifications without giving notice. Product illustrations are representations only. All information contained in this document is provided for guidance only, and as ASTROFLAME FIRESEALS LTD has no control over the installation methods of the products, or of the prevailing site conditions, no warranties expressed or implied are intended to be given as to the actual performance of the products mentioned or referred to, and no liability whatsoever will be accepted for any loss, damage or injury arising from the use of the information given of products mentioned or referred to herein.

The above information to the best of our knowledge is true and accurate and based upon current test data and is supplied for your guidance only. Customers should satisfy themselves to the suitability of the product in its intended use and no guarantee is given or implied since the conditions of actual use are beyond our control. ASTROflame (Fireseals) Ltd, disclaim any liability for loss, damage or other expense arising from the use of information, data or products mentioned or referred to and reserve the right to change any details or specifications without notice.

Astroflame (Fire Seals) Ltd. Intumescent House
Unit 8, The IO Centre, Stephenson Road, Segensworth
FAREHAM, ENGLAND PO15 5RU

tel 0800 023 2482
(01329 844500)

fax 0800 023 2483
(01329 844600)

intl
tel +44 1329 844500

fax +44 1329 844600

email sales@astroflame.com

[Homepage.](#)