

Trade Name: ASTRO Telescopic Letterbox FXC 30/60

Intumescent Fire & Smoke Rated Telescopic Letterboxes

12" Width 30 / 60 min Fire Rated Letterbox

Adjustable for door thickness from 40-80mm

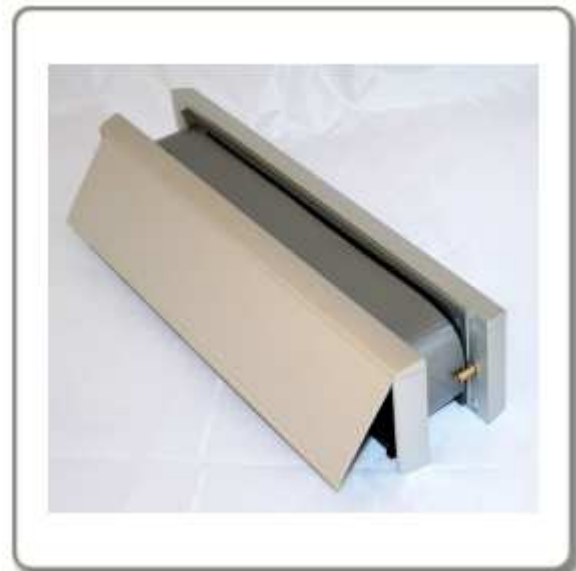
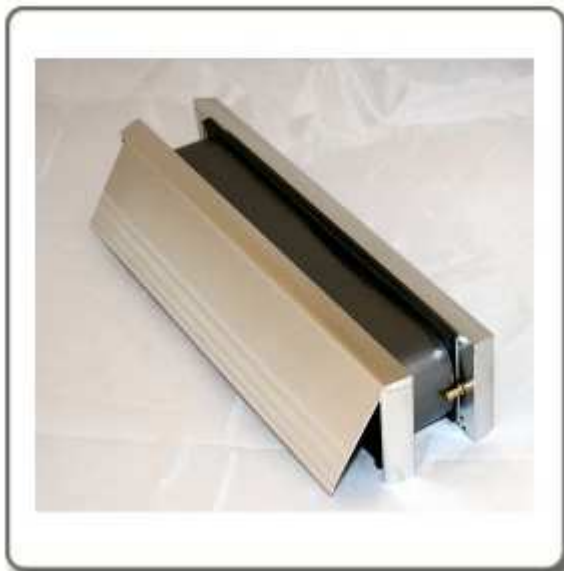
Choice of 3 letter plate finishes

Fire tested to BS 476 part 22

Smoke Tested to BS 476 part 31.1

Security tested to PAS 23/24

BS 2911 Compliant



Description

A robust commercial metal framed telescopic letterbox with metal flaps and a high performance intumescent liner.

In the event of a fire the intumescent liner expands to seal the letterbox aperture and retains the fire integrity of the door.

Fire and smoke rated for 30 or 60 minutes, depending on version.

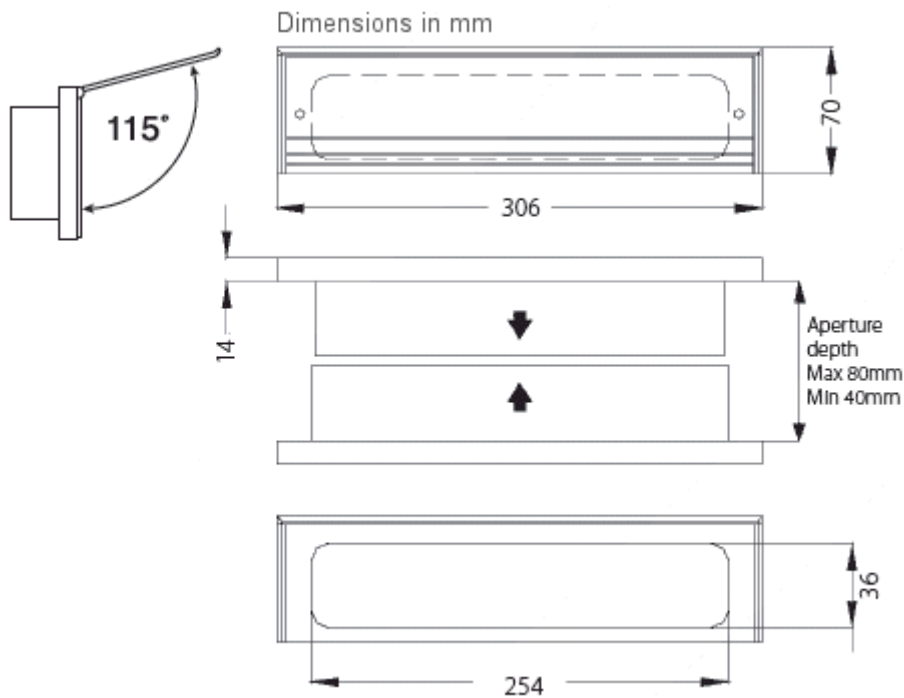
Security tested to PAS 23/24.

Fitted with brush pile draught excluders and sound dampening bumpers with a fully sealed backplate.

Available in Satin Anodised Aluminium, Polished Gold and Polished Silver finishes.

Typical application: fitting to fire doors in multiple occupancy residential buildings.

Cut out required on this size is 275mm x 55mm. Brushes are designed to go to the outside for maximum protection and draught proofing.



The overall size is 306mm x 70mm and comes as a 30/60 minute rated intumescent telescopic letterbox system with matching metal frame and metal letter plate flaps available in three finishes:

- Satin Anodised Aluminium
- Polished Gold Anodised
- Polished Silver

An adjustable telescopic sleeve can be set set from 40mm to 80mm door thickness.

Letterbox flaps open to 115°. Tested for use up to 1050 mm from floor level

For combined fire and acoustic requirements please refer to our [acoustic telescopic letterbox system](#).

Availability

Astroflame Intumescent Telescopic Letterboxes - FXC 30/60

Product Ref	Description	Finish
AFTLBFXC/30SAAMF	30 Minute Fire / Smoke Letterbox - 306 x 70mm	Satin Anodised Aluminium (SAA)
AFTLBFXC/30GAMF	30 Minute Fire / Smoke Letterbox - 306 x 70mm	Polished Gold
AFTLBFXC/30PAMF	30 Minute Fire / Smoke Letterbox - 306 x 70mm	Polished Silver
AFTLBFXC/60SAAMF	60 Minute Fire / Smoke Letterbox - 306 x 70mm	Satin Anodised Aluminium (SAA)
AFTLBFXC/60GAMF	60 Minute Fire / Smoke Letterbox - 306 x 70mm	Polished Gold
AFTLBFXC/60PAMF	60 Minute Fire / Smoke Letterbox - 306 x 70mm	Polished Silver

Packing

All sizes - 10 per pack or single.

To Order & Specify

Please quote- Quantity / Trade name / Product Ref / Rating / Finish

For example:

12no / ASTRO TELESCOPIC LETTER BOX FXC60 / AFTLBFXC/60SAAMF / 60 mins / SAA

Fire Test or Assessment Reports

Fire tested to BS 476 part 22

Smoke Tested to BS 476 part 31.1

Security tested to PAS 23/24

BS 2911 Compliant

Health and Safety

Normal good industrial and personal hygiene practices should be observed.

Installation

Please refer to installation instructions supplied with product or the online installation guide.

As part of our policy of ongoing improvements, we reserve the right to modify, alter or change product specifications without giving notice. Product illustrations are representations only. All information contained in this document is provided for guidance only, and as ASTROFLAME FIRESEALS LTD has no control over the installation methods of the products, or of the prevailing site conditions, no warranties expressed or implied are intended to be given as to the actual performance of the products mentioned or referred to, and no liability whatsoever will be accepted for any loss, damage or injury arising from the use of the information given of products mentioned or referred to herein.

The above information to the best of our knowledge is true and accurate and based upon current test data and is supplied for your guidance only. Customers should satisfy themselves to the suitability of the product in its intended use and no guarantee is given or implied since the conditions of actual use are beyond our control. ASTROflame (Fireseals) Ltd, disclaim any liability for loss, damage or other expense arising from the use of information, data or products mentioned or referred to and reserve the right to change any details or specifications without notice.

Astroflame (Fire Seals) Ltd. Intumescent House
Unit 8, The IO Centre, Stephenson Road, Segensworth
FAREHAM, ENGLAND PO15 5RU

tel 0800 023 2482
(01329 844500)

fax 0800 023 2483
(01329 844600)

intl
tel +44 1329 844500

fax +44 1329 844600

email sales@astroflame.com

[Homepage.](#)