

Trade Names: Astro **ASP** : **ASP/TF** : **ASMS** : **ASMS/DA** Seals

Acoustic & Smoke Perimeter Seals

Perimeter seals for proprietary fire doors acoustically and smoke tested.

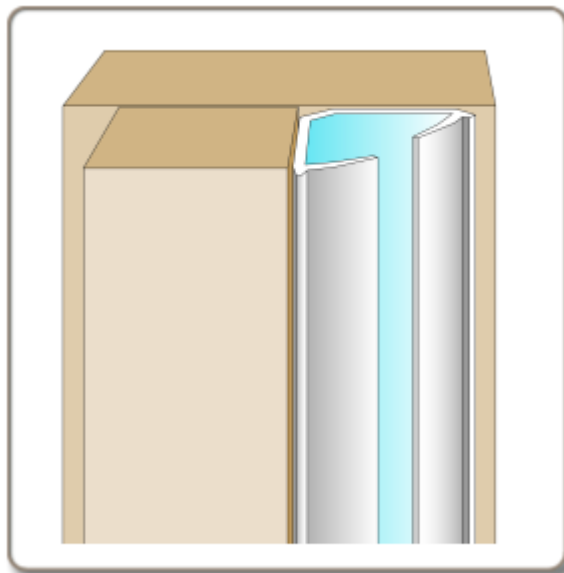
BS 476 Part 31.1
BS EN 1634 Part 4

Sound reduction
Up to R_w39dB^* (single seal)
Up to R_w35dB^* (twin fin)

Suitable for new and retrofit

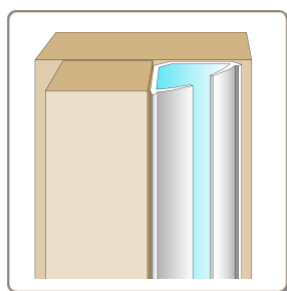
Easy to install ASP self adhesive seals

Colour options for ASP seal
Black, Brown, White, Light Oak



Description

ASTRO ASP SEAL



A co-extruded PVC, acoustic and smoke perimeter self adhesive seal. Located in the protected corners of rebated frames of single or double broad butt hinged doors and windows.

The Min / Max Gap is 3mm to 5.5mm.

Acoustically and smoke tested on proprietary fire doors.
Noise Reduction Index up to $R_w 39dB^*$.

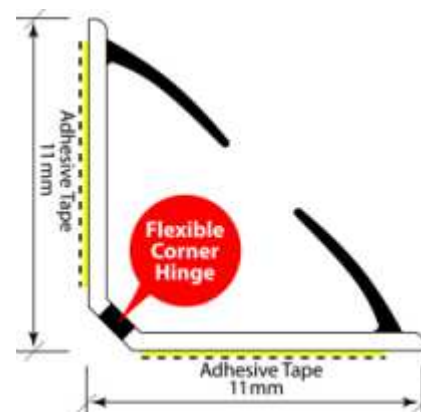
Suitable for new and retrofit applications the seals are quick and easy to apply.



Sound Smoke Air Light

Applications

- Pedestrian doorsets, single and double leaf configurations
- Surface mounted substrates: timber, steel, composite materials
- Latched and unlatched doors
- New build or retro-fit applications



Product Features

- Rigid legs with a flexible hinged corner makes for easy fitting
- Excellent compression and deflection performance
- Low closing forces due to low co-efficient material used

The Astro Acoustic & Smoke Perimeter seal is manufactured from a rigid and flexible flame retardant PVC, complete with an aggressive self adhesive backing tape on both sides of the rigid carrier.

For full acoustic and smoke sealing the ASTRO Acoustic & Smoke Perimeter seal should be used in conjunction with a [rebated](#), semi morticed or surface mounted door bottom seal and where required acoustic & perhaps disabled access threshold seal.

ASP Seal Availability

2100mm lengths

Colours:

Black, Brown, White, Light Oak

To order & specify

Please Quote : QTY / TRADE NAME / TYPE / COLOUR / PRODUCT REF

Typical wording

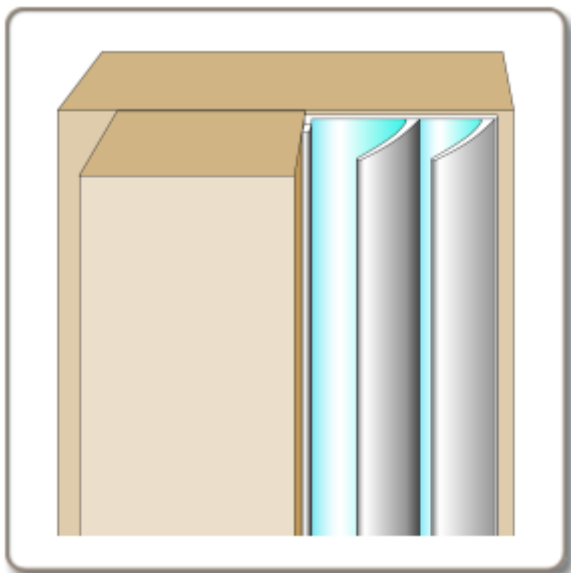
10 / ASTRO ASP SEAL / 2100MM / WHITE / AFASP/WHT

10 / ASTRO ASP SEAL / 2100MM / BROWN / AFASP/BRN

10 / ASTRO ASP SEAL / 2100MM / BLACK / AFASP/BLK

10 / ASTRO ASP SEAL / 2100MM / LIGHT OAK / AFASP/LO

ASTRO ASP/TF SEAL



Similar to the ASP Seal the ASPTF Twin Fin Seal is a compact design ideal for hygiene and clean rooms and removes the need to fit separate smoke seals.



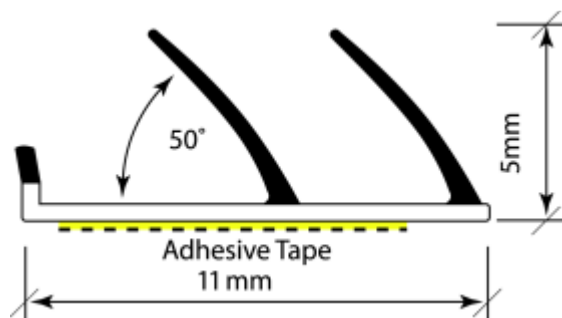
Engineered to size to avoid overlapping door ironmongery with excellent compression and deflection performance and allows reduced door closing force due to a low co-efficient material used in integral fins.

Acoustically and smoke tested on proprietary fire doors. Noise Reduction Index up to R_w 35dB*.

Suitable for new and retrofit applications the seals are quick and easy to apply.

The Astro Acoustic & Smoke Perimeter TF seal is manufactured from rigid and flexible flame retardant PVC, complete with an aggressive self adhesive backing tape.

For full acoustic and smoke sealing the ASTRO Acoustic & Smoke Perimeter seal should be used in conjunction with a rebated, semi morticed or surface mounted door bottom seal and where required acoustic & perhaps disabled access threshold seal.



ASPTF Seal Availability

2100mm lengths

Colours:

Black, Brown, White, Light Oak

To order & specify

Please Quote : QTY / TRADE NAME / TYPE / COLOUR / PRODUCT REF

Typical wording

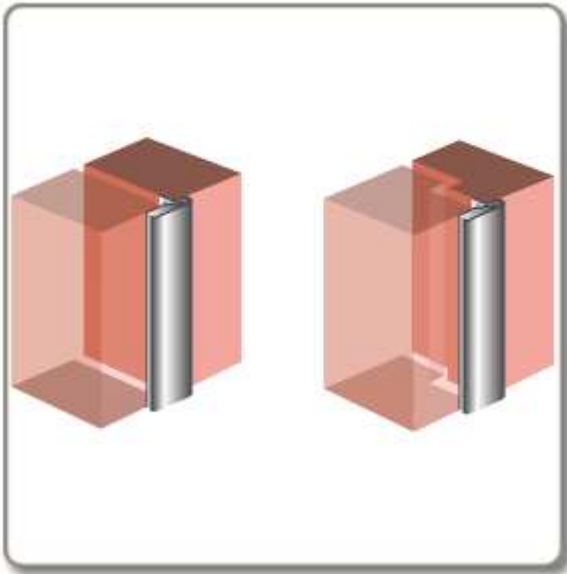
10 / ASTRO ASPTF SEAL / 2100MM / BLACK / AFASPTF/BLK

10 / ASTRO ASPTF SEAL / 2100MM / BROWN / AFASPTF/B

10 / ASTRO ASPTF SEAL / 2100MM / WHITE / AFASPTF/WHT

10 / ASTRO ASPTF SEAL / 2100MM / LIGHT OAK / AFASPTF/LO

ASTRO ASMS SEAL



ASTRO ASMS MEETING STILE SEAL SINGLE ACTION

An acoustic meeting stile seal for single action door leaves.

The seal can be flush fitted or rebated. Screw fix (supplied)

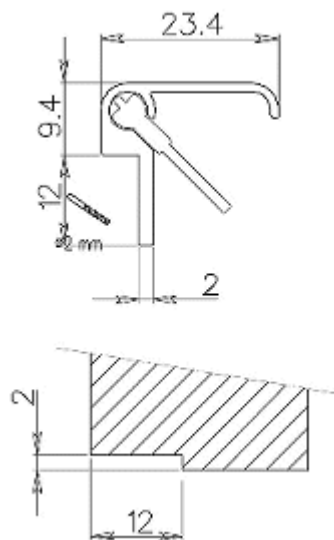
Standard lengths are 2100mm or 2500mm

The minimum / maximum gap is 3-8mm

Satin anodised aluminium finish with a PVC seal for acoustic performance

Acoustically and smoke tested on proprietary fire doors

Noise Reduction Index up to Rw 36dB*.



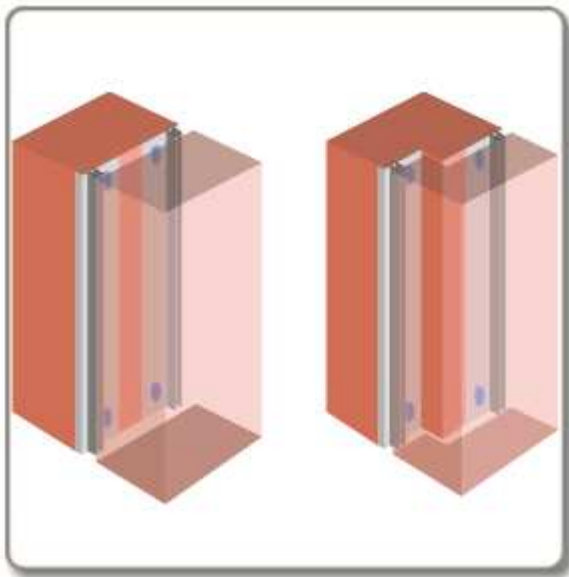
To order and specify

Please Quote : QTY / TRADE NAME / SIZE / PRODUCT REF

Typical wording

10 / ASTRO ASMS MEETING STILE SEAL-SINGLE ACTION / 2100 / AFASMS/SA /2100

ASTRO ASMS/DA SEAL



ASTRO ASMS MEETING STILE SEAL DOUBLE ACTION

An acoustic meeting stile seal for double action door leaves.

The seal can be flush fitted or rebated. Screw fix (supplied)

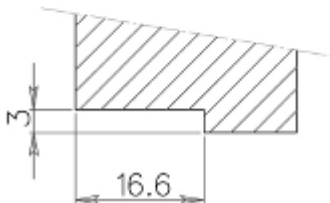
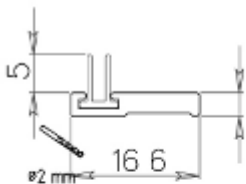
Standard lengths are 2100mm or 2500mm

The minimum / maximum gap is 3-8mm

Satin anodised aluminium finish with a PVC seal for acoustic performance

Acoustically and smoke tested on proprietary fire doors.

Noise Reduction Index Rw up to 36dB*.



Sound Smoke Air Light

To order & specify

Please Quote : QTY / TRADE NAME / SIZE / PRODUCT REF

Typical wording

10 / ASTRO ASMS MEETING STILE SEAL-DOUBLE ACTION / 2100 / AFASMS/DA /2100

Test and Assessment Reports

* The acoustic ratings quoted will vary depending on the door density and any additional threshold & perimeter seals used in conjunction with this product, contact us for confirmation before specifying.

For additional testing, or technical information please contact ASTROFLAME FIRESEALS LTD.

Health and Safety

This product presents no known Health problems.

Installation

Please refer to the installation sheet that comes with the product

As part of our policy of ongoing improvements, we reserve the right to modify, alter or change product specifications without giving notice. Product illustrations are representations only. All information contained in this document is provided for guidance only, and as ASTROFLAME FIRESEALS LTD has no control over the installation methods of the products, or of the prevailing site conditions, no warranties expressed or implied are intended to be given as to the actual performance of the products mentioned or referred to, and no liability whatsoever will be accepted for any loss, damage or injury arising from the use of the information given of products mentioned or referred to herein.

The above information to the best of our knowledge is true and accurate and based upon current test data and is supplied for your guidance only. Customers should satisfy themselves to the suitability of the product in its intended use and no guarantee is given or implied since the conditions of actual use are beyond our control. ASTROflame (Fireseals) Ltd, disclaim any liability for loss, damage or other expense arising from the use of information, data or products mentioned or referred to and reserve the right to change any details or specifications without notice.

Astroflame (Fire Seals) Ltd. Intumescent House
Unit 8, The IO Centre, Stephenson Road, Segensworth
FAREHAM, ENGLAND PO15 5RU

tel 0800 023 2482
(01329 844500)

fax 0800 023 2483
(01329 844600)

intl
tel +44 1329 844500

fax +44 1329 844600

email sales@astroflame.com

[Homepage.](#)