

---

Trade Name: Astro Finger SlimGuard Rear:  
**Anti-finger trapping device for Rear of Door.**

---

COSHH Data

Installation Data

Product Images

Installation Video

SlimGuard Rear shields the rear hinge gap of the door.

Robust, effective, easy to install solution.

All Aluminium construction.

Fits like an extra long hinge.

Can be fitted to most single action doors.

Suitable for manual or automated doors.

Can be fitted to new doors and retrofitted to existing doors.

Sold in 2000 mm lengths.

Designed for doors with standard 18mm diameter hinges.



---

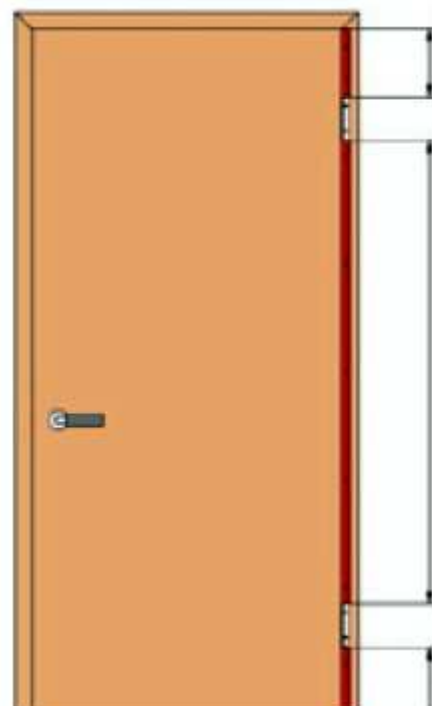
## Description

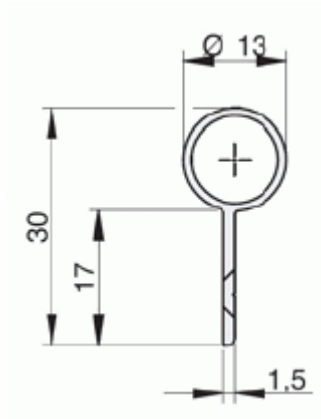
SlimGuard is designed to prevent finger trapping on the hinge pin side of the door (where the small gap is when the door is open).

When used in conjunction with a front finger guard door hinges are 100% covered.

Supplied in 2 metre lengths that are cut to size and fitted above, between and below hinges - as illustrated in the drawing opposite.

SlimGuard comes with pre-drilled, countersunk fixing points and with self-adhesive tape to aid fitting.





All dimensions show in mm.

## Availability

---

Supplied in Satin Anodised Aluminium (SAA) finish only.

## Packing

---

Sold individually or available to order in any quantity in 2000 mm lengths.

## To Order & Specify

---

Please quote - Quantity / Trade Name / Product Code  
Typical wording - 12 / ASTRO FINGER SLINGUARD REAR/ AFFGSGR

## Health and Safety

---

Normal good industrial and personal hygiene practices should be observed.

## Installation

---

Easy to fit. Full instructions supplied.

As part of our policy of ongoing improvements, we reserve the right to modify, alter or change product specifications without giving notice. Product illustrations are representations only. All information contained in this document is provided for guidance only, and as ASTROFLAME FIRESEALS LTD has no control over the installation methods of the products, or of the prevailing site conditions, no warranties expressed or implied are intended to be given as to the actual performance of the products mentioned or referred to, and no liability whatsoever will be accepted for any loss, damage or injury arising from the use of the information given of products mentioned or referred to herein.

The above information to the best of our knowledge is true and accurate and based upon current test data and is supplied for your guidance only. Customers should satisfy themselves to the suitability of the product in its intended use and no guarantee is given or implied since the conditions of actual use are beyond our control. ASTROflame (Fireseals) Ltd, disclaim any liability for loss, damage or other expense arising from the use of information, data or products mentioned or referred to and reserve the right to change any details or specifications without notice.

FAREHAM, ENGLAND PO15 5RU

tel 0800 023 2482  
(01329 844500)

fax 0800 023 2483  
(01329 844600)

intl  
tel +44 1329 844500

fax +44 1329 844600

email [sales@astroflame.com](mailto:sales@astroflame.com)

[Homepage.](#)