

# UL-EU CERTIFICATE

**Certificate No.** UL-EU-00840  
**Page** 1/11  
**Date of Issue** 2015-07-02

**Certificate Holder** ASTROFLAME FIRESEALS LIMITED  
UNIT 8 THE IO CENTRE  
SEGENSWORTH  
FAREHAM  
PO15 5RU  
United Kingdom

**Manufacturer** A/008

**Certified Product Type** Fire Stop – Pillows  
**Product Trade Name** Astro X Series Pillows  
**Trademark** N/A  
**Rating/Classification** See Appendix

**Harmonised Technical Specifications** ETAG 026-2 / EN 13501-2  
**Supporting Documentation** ETA 13/1056, EC – CERTIFICATE OF CONSTANCY OF PERFORMANCE - 1121 – CPR – JA5008  
**Additional information** Additional test evidence is held on file  
**Expiry date** 2025-07-01

---

**Director, Global Market Access Operations**

Helena Y. Wolf

This is to certify that representative samples of the Certified Product listed above have been investigated by Underwriters Laboratories to the Standard(s) indicated on this Certificate, in accordance with the UL Global Services Agreement and the UL-EU Mark Service Terms and Conditions ("Agreement"). The Certificate Holder is entitled to use the UL-EU Mark for the Certified Product listed on the certificate and manufactured at the production site(s) listed, in accordance with the terms of the Agreement. Only those products bearing the UL-EU Mark for Europe should be considered as being covered by UL's UL-EU Mark Service. This Certificate shall remain valid through the Expiration date, unless a Standard identified on this Certificate is amended or withdrawn prior to that date or there is a non-compliance with the Agreement.



[www.ul.com](http://www.ul.com)

# Appendix UL-EU CERTIFICATE

**Certificate No.** UL-EU-00840  
**Page** 2/11  
**Date of Issue** 2015-07-02

This certificate relates to the use of Astro X Series Pillows for fire stopping where services pass through rigid walls. The detailed scope is given in pages 3 to 9 of this Certificate. This shows the thickness and acceptable dimensions, substrates, services and orientations required to provide fire resistance periods of up to 120 minutes.

The product is certificated on the basis of:

- i) ETA 13/1056 EC – CERTIFICATE OF CONSTANCY OF PERFORMANCE 1121 – CPR – JA5008
- ii) Inspection and surveillance of factory production control by UL
- iii) Fire resistance test data in accordance with 1366-3: 2009
- iv) Classification in accordance with EN 13501-2
- v) Durability and Servicability as defined in ETAG 026-2

The durability class of Astro X Series Pillows is Z<sub>1</sub> - intended for use at internal conditions with high humidity, excluding temperatures below 0°C



# Appendix UL-EU CERTIFICATE

Certificate No. UL-EU-00840  
 Page 3/11  
 Date of Issue 2015-07-02

Product-type: Pillow		Intended use: Penetration Seal
Basic requirement for construction work	Basic Requirement	Performance
<b>BWR 1 Mechanical resistance and stability</b>		
-	None	Not relevant
<b>BWR 2 Safety in case of fire</b>		
EN 13501-1	Reaction to fire	Class F
EN 13501-2	Resistance to fire	See page 5
<b>BWR 3 Hygiene, health and environment</b>		
EN 1026:2000	Air permeability (material property)	See page 4
ETAG 026-3, Annex C	Water permeability (material property)	No performance determined
Declaration of manufacturer	Release of dangerous substances	Declaration of manufacturer
<b>BWR 4 Safety in use</b>		
EOTA TR 001:2003	Mechanical resistance and stability	No performance determined
EOTA TR 001:2003	Resistance to impact/movement	No performance determined
EOTA TR 001:2003 ISO 11600	Adhesion	No performance determined
<b>BWR 5 Protection against noise</b>		
EN 10140-2/ EN ISO 717-1	Airborne sound insulation	Rw(C;Ctr)= 33 (0;-2) dB*
EN 10140-3/ EN ISO 717-2	Impact sound insulation	No performance determined
<b>BWR 6 Energy economy and heat retention</b>		
EN 12664, EN 12667 or EN 12939	Thermal properties	No performance determined
EN ISO 12572 EN 12086	Water vapour permeability	No performance determined
<b>General aspects relating to fitness for use</b>		
ISO 8339: 2005, ISO 9046: 2004 & ISO 7389: 2003	Durability and serviceability	Z <sub>1</sub>
<b>BWR 7 Sustainable use of natural resources</b>		
-	-	No performance determined

\* As given in ETA, see page 5 for additional ratings



# Appendix UL-EU CERTIFICATE

Certificate No. UL-EU-00840  
Page 4/11  
Date of Issue 2015-07-02

<b>Astro X Series Pillows: Air Permeability according to BS EN 1314-1</b>				
<b>Pressure (Pa)</b>	<b>Results under positive chamber pressure</b>		<b>Results under negative chamber pressure</b>	
	<b>Leakage (m<sup>3</sup>/h)</b>	<b>Leakage (m<sup>3</sup>/m<sup>2</sup>/ h)</b>	<b>Leakage (m<sup>3</sup>/h)</b>	<b>Leakage (m<sup>3</sup>/m<sup>2</sup>/ h)</b>
50	2.5	13.9	3.1	17.2
100	4.1	22.8	5.6	31.1
150	5.8	32.2	7.4	41.1
200	7.2	40.0	8.9	49.4
250	8.7	48.3	10.3	57.2
300	9.8	54.4	11.1	61.7
450	13.4	74.4	15.3	85.0
600	17.5	97.2	18.6	103.3



# Appendix UL-EU CERTIFICATE

Certificate No. UL-EU-00840  
 Page 5/11  
 Date of Issue 2015-07-02

Astro X Series Pillows: Acoustic performance according to BS EN ISO 10140-2:2010		
Configuration	$R_w(C; C_{tr})$ Specimen only, 1m <sup>2</sup>	$D_{new}$ Partition & Specimen
500mm wide x 2000mm high, aperture filled with 114 No. S-Line Pillows	30 (0; -2)	43 (0; -2)
	<p>— Rating Curve (ISO 717-1) — Sound Reduction Index, R, in dB</p>	

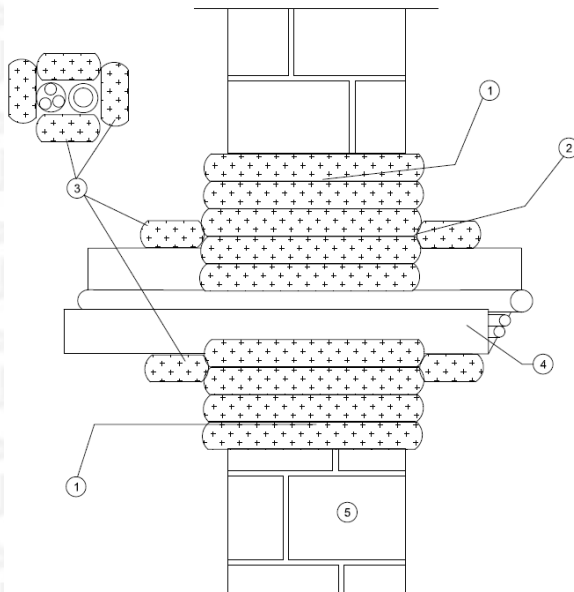


# Appendix UL-EU CERTIFICATE

Certificate No. UL-EU-00840  
 Page 6/11  
 Date of Issue 2015-07-02

## Astro X Series Pillows: Penetration Seals in Walls (cables)

FIRE RESISTANT CABLE & CABLE TRAY PENETRATION  
 SEAL WITH ADDITIONAL PILLOWS THROUGH RIGID WALL HORIZONTAL  
 ORIENTATION



- 1 - PILLOWS
- 2 - PILLOWS - VARIOUS SIZES TO FIT VOID
- 3 - ADDITIONAL PILLOWS
- 4 - CABLE TRAY AND CABLES
- 5 - RIGID WALL CONSTRUCTION

Substrate	Minimum Substrate Thickness (mm)	Maximum Seal Size (mm)	Seal Position	Minimum Seal Depth (mm)	Services (wrapped with additional 300 mm long pillows where they exit the seal)	Fire Resistance (mins.)	
						E	EI
Masonry/ Concrete	150	1100 x 1100	Central	300*	Telecom cables up to 21 mm Ø (single or in bundles up to 100 mm Ø)	120	120
					Electrical cables up to 21 mm Ø		
					Electrical cables up to 80 mm Ø	120	90
					Unsheathed wires up to 24 mm Ø	120	120
					Steel, copper or Plastic conduits and tubes up to 16 mm Ø		
					Cable trays or ladders up to 300 mm wide		
Cable trays up to 500 mm wide	120	90					

\* with equal projection to both faces

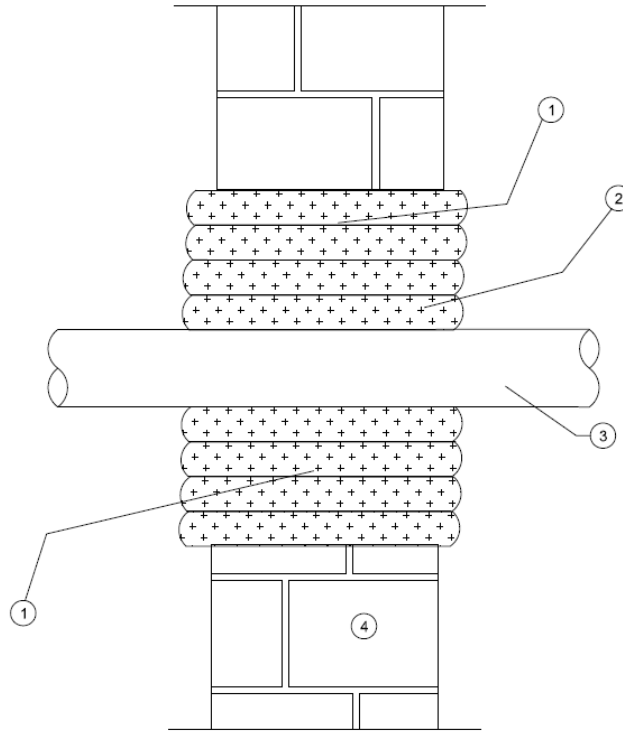


# Appendix UL-EU CERTIFICATE

Certificate No. UL-EU-00840  
 Page 7/11  
 Date of Issue 2015-07-02

## Astro X Series Pillows: Penetration Seals in Walls (uninsulated metal pipes)

FIRE RESISTANT UN-INSULATED METALLIC PIPE  
 PENETRATION SEAL THROUGH RIGID WALL HORIZONTAL ORIENTATION



- 1 - PILLOWS
- 2 - PILLOWS - VARIOUS SIZES TO FIT VOID
- 3 - UN-INSULATED METALLIC PIPE - COPPER / STEEL
- 4 - RIGID WALL CONSTRUCTION

Substrate	Minimum Substrate Thickness (mm)	Maximum Seal Size (mm)	Seal Position	Minimum Seal Depth (mm)	Services	Fire Resistance (mins.) <sup>^</sup>	
						E	EI
Masonry/Concrete	150	1100 x 1100	Central	300*	165 mm Ø by 5.6-14.2 mm thick walled mild steel pipe	120	0

\* with equal projection to both faces

<sup>^</sup> C/U pipe end configuration

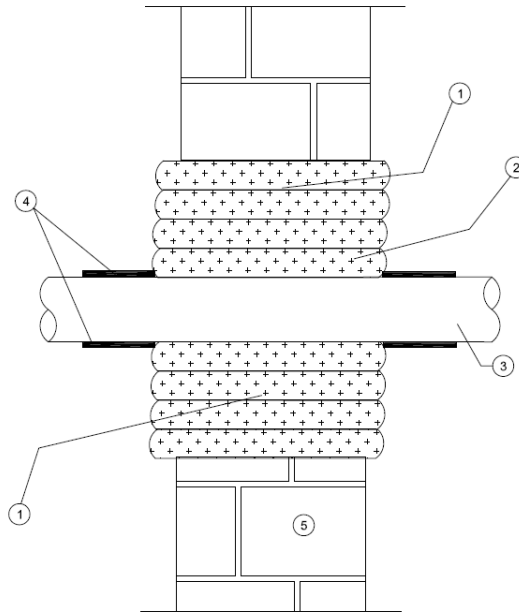


# Appendix UL-EU CERTIFICATE

Certificate No. UL-EU-00840  
 Page 8/11  
 Date of Issue 2015-07-02

## Astro X Series Pillows: Penetration Seals in Walls (locally insulated metal pipes)

FIRE RESISTANT METALLIC PIPE PENETRATION  
 SEAL WITH TDW THROUGH RIGID WALL HORIZONTAL  
 ORIENTATION



- 1 - PILLOWS
- 2 - PILLOWS - VARIOUS SIZES TO FIT VOID
- 3 - METALLIC PIPE - COPPER / STEEL
- 4 - THERMAL DEFENSE WRAP - TDW 300mm - LI
- 5 - RIGID WALL CONSTRUCTION

Substrate	Minimum Substrate Thickness (mm)	Maximum Seal Size (mm)	Seal Position	Minimum Seal Depth (mm)	Services (wrapped with 300 mm long Thermal Defense Wrap where they exit the seal)	Fire Resistance (mins.) <sup>^</sup>	
						E	EI
Masonry/ Concrete	150	1100 x 1100	Central	300*	48 mm Ø by 3.5-14.2 mm thick walled mild steel pipe (7 mm TDW)	120	120
					113 mm Ø by 4.5-14.2 mm thick walled mild steel pipe (10 mm TDW)		

\* with equal projection to both faces

<sup>^</sup> C/U pipe end configuration



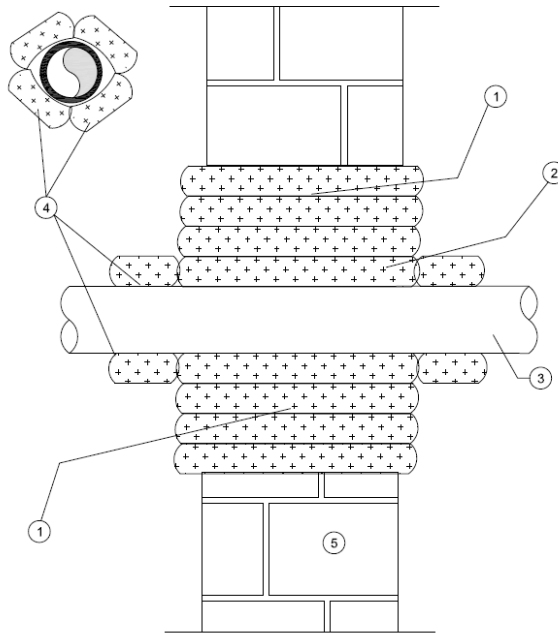


# Appendix UL-EU CERTIFICATE

Certificate No. UL-EU-00840  
 Page 9/11  
 Date of Issue 2015-07-02

## Astro X Series Pillows: Penetration Seals in Walls (locally insulated metal pipes)

FIRE RESISTANT METALLIC PIPE PENETRATION  
 SEAL WITH ADDITIONAL PILLOWS THROUGH RIGID WALL  
 HORIZONTAL ORIENTATION



- 1 - PILLOWS
- 2 - PILLOWS - VARIOUS SIZES TO FIT VOID
- 3 - METALLIC PIPE - COPPER / STEEL
- 4 - ADDITIONAL PILLOWS - LI
- 5 - RIGID WALL CONSTRUCTION

Substrate	Minimum Substrate Thickness (mm)	Maximum Seal Size (mm)	Seal Position	Minimum Seal Depth (mm)	Services (wrapped with additional 300 mm long pillows where they exit the seal)	Fire Resistance (mins.) <sup>^</sup>	
						E	EI
Masonry/ Concrete	150	1100 x 1100	Central	300*	108 mm Ø by 1.5-14.2 mm thick walled copper pipe	120	90

\* with equal projection to both faces

<sup>^</sup> C/U pipe end configuration

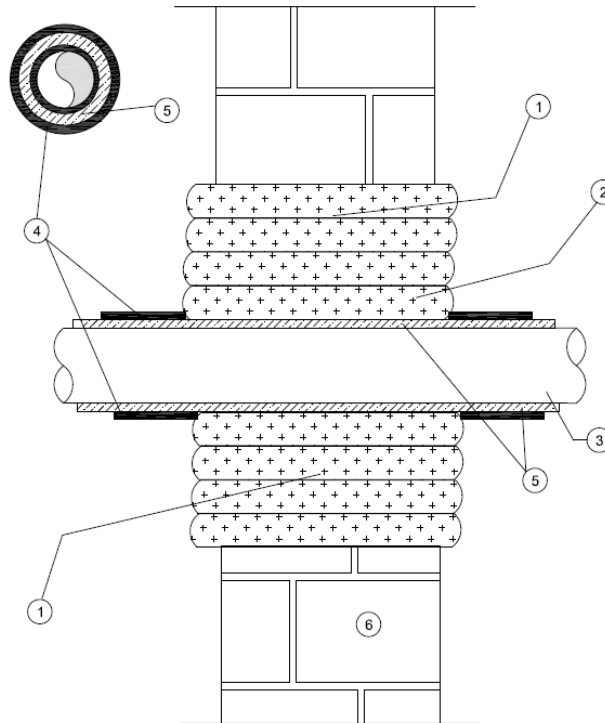


# Appendix UL-EU CERTIFICATE

Certificate No. UL-EU-00840  
 Page 10/11  
 Date of Issue 2015-07-02

## Astro X Series Pillows: Penetration Seals in Walls (locally insulated metal pipes)

FIRE RESISTANT INSULATED WITH ARMAFLEX  
 METALLIC PIPE PENETRATION SEAL WITH TDW THROUGH RIGID  
 WALL HORIZONTAL ORIENTATION



- 1 - PILLOWS
- 2 - PILLOWS - VARIOUS SIZES TO FIT VOID
- 3 - METALLIC PIPE - COPPER / STEEL
- 4 - THERMAL DEFENSE WRAP - TDW 300mm - LI (Local Interrupted)
- 5 - ARMAFLEX INSULATION - LS (Local Sustained)
- 6 - RIGID WALL CONSTRUCTION

Substrate	Minimum Substrate Thickness (mm)	Maximum Seal Size (mm)	Seal Position	Minimum Seal Depth (mm)	Services (wrapped with 250 mm long Thermal Defense Wrap where they exit the seal)	Fire Resistance (mins.) <sup>^</sup>	
						E	EI
Masonry/ Concrete	150	1100 x 1100	Central	300*	54 mm Ø by 1.0-14.2 mm thick walled copper pipe with 15 mm thick Armaflex AF insulation continuous through the seal and extending at least 400 mm to each face (2x layers of 100 mm TDW)	120	120

\* with equal projection to both faces

<sup>^</sup> C/U pipe end configuration



# Appendix UL-EU Certificate

<b>Certification Mark</b>	<b>UL-EU mark</b>
<b>Certificate No.</b>	UL-EU-00840
<b>Page</b>	11/11
<b>Date of Issue</b>	2015-07-02

The UL-EU Mark, as displayed below, shall appear on certified products only. Minimum size is not specified, as long as the Mark is legible. The following is suggested.



The minimum height of the registered trademark symbol ® shall be 1 mm. When the overall diameter of the UL-EU Mark is less than 9.5 mm, the trademark symbol may be omitted if it is not legible to the naked eye.

The UL-EU Mark may appear on a label, nameplate, or may be cast, stamped or molded into the product. When appearing on a label or nameplate, the Manufacturer's name or trademark along with a model number are also required on that same label or nameplate. If cast, stamped or molded, the Certificate Manufacturer's name or trademark and model number shall also appear elsewhere on the product.

All content shall be in accordance with the details provided on this UL-EU Certificate.

## PROCUREMENT

The Production site may reproduce the Mark or obtain it from a UL authorized supplier. The list of UL authorized suppliers can be found on UL's online directory at [www.ul.com](http://www.ul.com).

