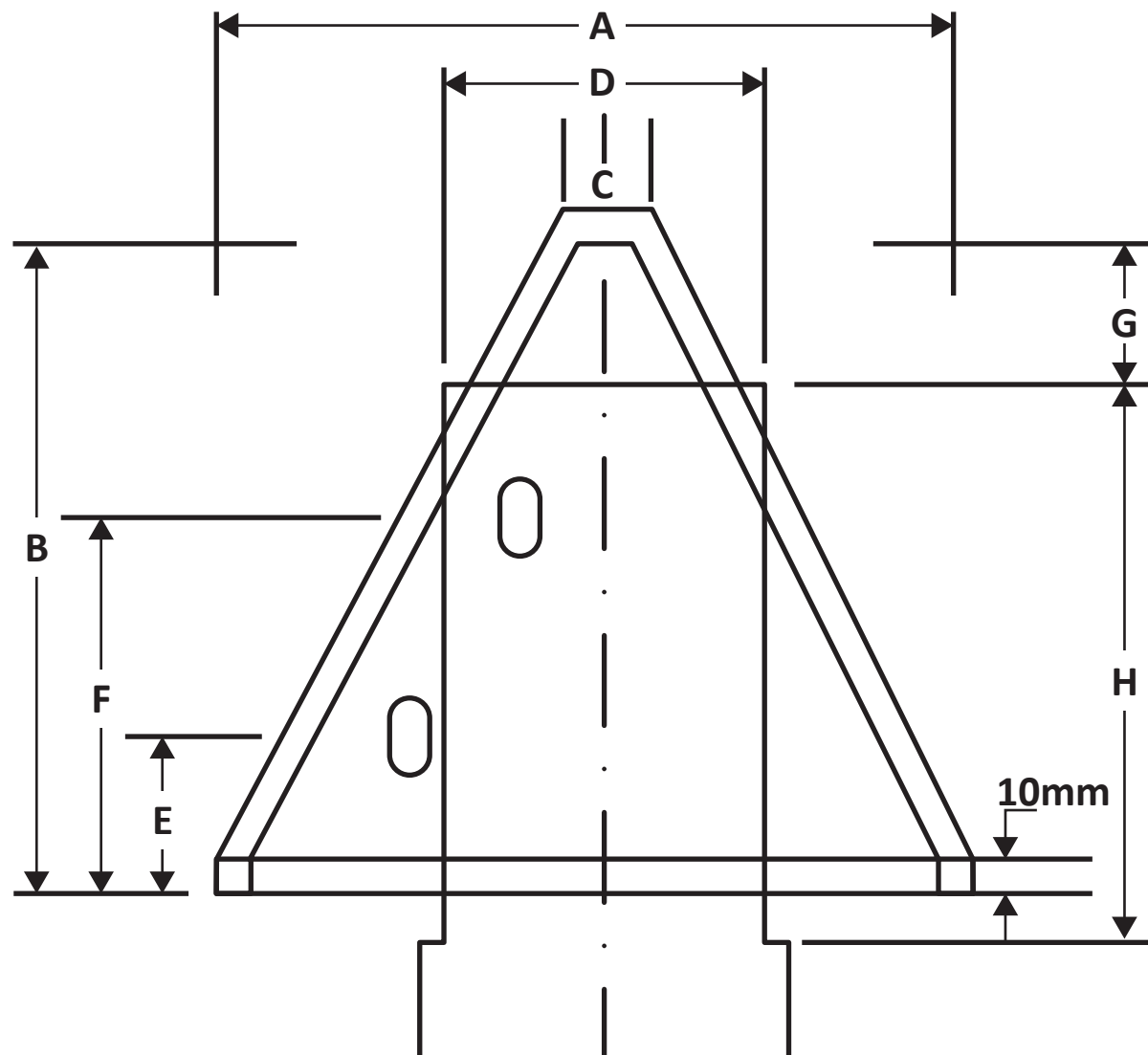


All sizes in mm. General Tolerance + 2mm / - 1mm unless otherwise stated
 (Product code: AFDLCOVS, AFDLCOVM & AFDLCOVL)

Cover	150x150	200x200	250x250
A	150	200	250
B	160	210	260
C	30	30	30
D	45	70	90
E	50	50	75
F	85	100	140
G	20	55	65
H	155	170	205
Slots 8 per	20x10	20x10	20x10
Wall Thk	8	8	9



Astroflame Astro DL Cover