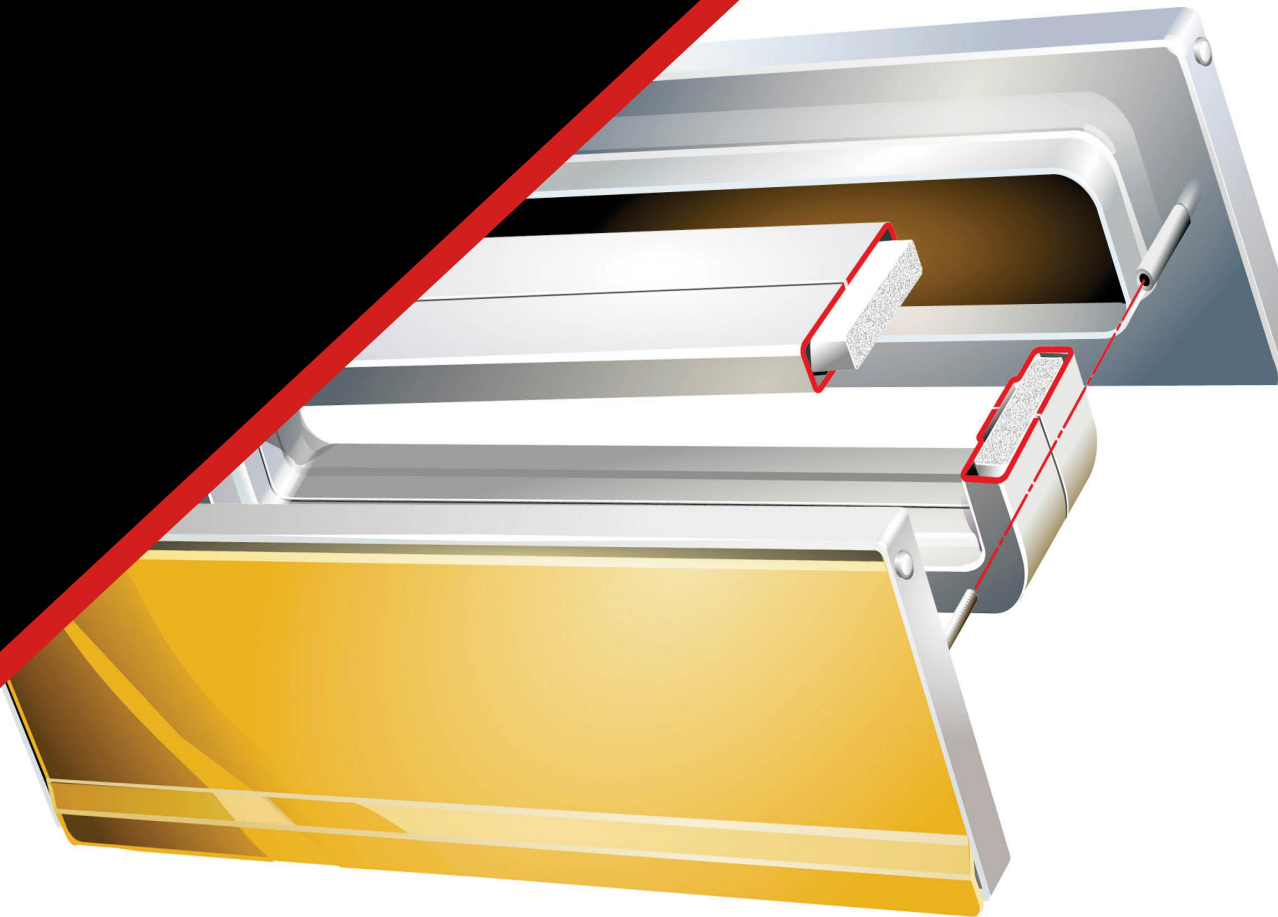


Product Data Sheet

Astro Telescopic Letter Box FS (Fire/Smoke)

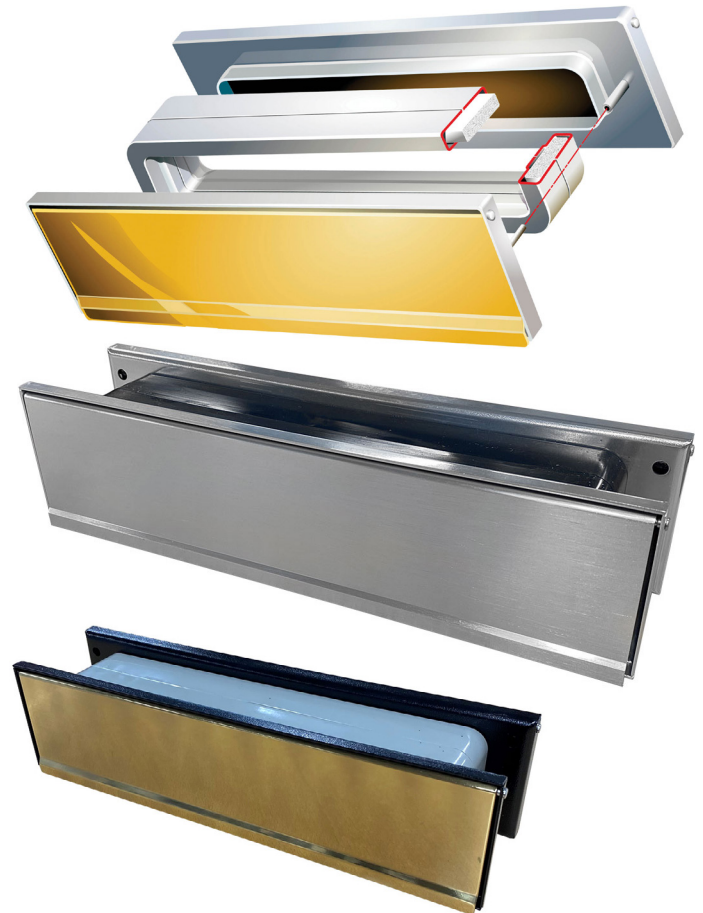
Revision 11 - 23rd May 2023



Astro Telescopic Letter Box FS (Fire/Smoke)

Intumescent Telescopic Letterbox

- Tested to BS 476 PART 22 for 30 or 60 minutes fire rating
- Achieves up to Rw 31dB* sound reduction on an appropriate door
- Supplied with internal/external flap and aperture liner
- Fire and Smoke Rated (Fire, Smoke and Acoustic options also available)
- Certifire Approved - CF255



Product Description

The Astro Telescopic Letter Box FS & FSA system is unique in terms of product quality, flexibility, security, finishes and testing. It can be installed as a refit item or into new doorsets.

This innovative product offers advanced fire protection which are fire & smoke rated from 30 minutes to 1 hour. Our Intumescent Telescopic Letterbox is specifically designed to resist the spread of fire. The intumescent material expands when exposed to high temperatures, forming a tight seal that prevents flames and smoke from infiltrating your building. Protect your property and valuable belongings with this essential fire safety feature.

Equipped with acoustic seals, our telescopic letterbox provides an effective noise barrier. The Astro Telescopic Letter Box FSA system has been tested and carries an Acoustic rating to Rw 31dB* sound reduction on an appropriate door. Enjoy a quieter and more comfortable indoor environment.

Our range of Intumescent Telescopic Letterboxes are simple to install. The design allows for flexible fitting on a wide range of door thicknesses from 42-47mm, 47-52mm and 52-57mm. With simple adjustments, you can achieve a snug and secure fit, guaranteeing optimal performance.

If extra security is needed add the Security Cowl & Latch to the Astro Telescopic Letter Box FS & FSA system. Crafted from robust material that obstructs view from outside, helps prevent manipulation of locks/bolts, tampering, attacks from outside, ensuring the highest level of protection for your property. Please note the Security Cowl & Latch is an additional item and is available with similar finishes to the Intumescent Telescopic Letterboxes.

Our letterbox combines functionality with aesthetic appeal. The sleek design seamlessly integrates with various door styles, adding a touch of elegance to your entrance. Choose from a range of finishes and sizes

Product Description

that are suitable for multiple occupancy residential buildings.

30 minute version available in satin anodised or gold anodised aluminium.

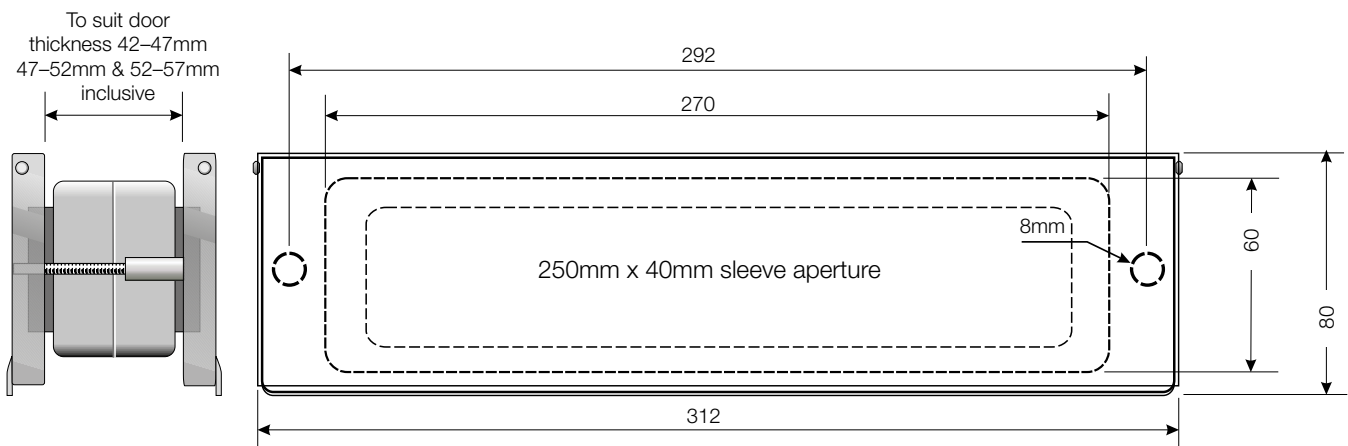
60 minute version available in brushed and polished stainless steel, polished brass.

Product Availability

Availability for the Astroflame range of Intumescent Acoustic & Smoke rated Telescopic Letterbox Systems:

- Other sizes available for 30 minute Fire/smoke rated or Fire/smoke & Acoustic rated are 42-47 mm, 47-52 mm & 52-57 mm in either SA or GA finish
- Other sizes available for 60 minute Fire rated or Fire/smoke & Acoustic rated are 42-47 mm, 47-52 mm & 52-57 mm in either SS, MPS or PB finish
- Optional security features for 60 Minute versions are an internal Security Cowl & Latch

Product Code	Product Description	Colour
AFTLBFS/30SA	30 Minute Fire/Smoke 42-47mm	Satin Anodised Aluminium
AFTLBFS/30GA	30 Minute Fire/Smoke 42-47mm	Gold Anodised Aluminium
AFTLBFS/60SS	60 Minute Fire/Smoke 52-57mm	Satin Brushed Stainless Steel
AFTLBFS/60MPS	60 Minute Fire/Smoke 52mm-57mm	Polished Stainless Steel
AFTLBFS/60PB	60 Minute Fire/Smoke 52mm-57mm	Polished Brass & Lacquer
AFTLBFSA/30SA	30 Minute Fire/Smoke/Acoustic 42-47mm	Satin Anodised Aluminium
AFTLBFSA/30GA	30 Minute Fire/Smoke/Acoustic 42-47mm	Gold Anodised Aluminium
AFTLBFSA/60SS	60 Minute Fire/Smoke/Acoustic 52-57mm	Satin Brushed Stainless Steel
AFTLBFSA/60MPS	60 Minute Fire/Smoke/Acoustic 52-57mm	Polished Stainless Steel
AFTLBFSA/60PB	60 Minute Fire/Smoke/Acoustic 52-57mm	Polished Brass & Lacquer



To Order & Specify

Please contact us and quote the following information - Quantity / Product Code / Product Description / Colour
Typical example:- 12 / 30 Minute Fire/Smoke 42-47mm / Satin Anodised Aluminium

>> Tel: [01329 844 500](tel:01329844500) or >> Email: sales@astroflame.com

Installation

We have technical representatives who provide assistance in the selection and specification of the products on this site and should be consulted for exact installation and product suitability. Ensure an early engagement with ourselves, designers, main contractor and specialist installers before any installation. Other trades and/or manufacturers may need to be consulted. For in-depth information, specification and technical advice please call our Head Office on tel [01329 844 500](tel:01329844500) or email sales@astroflame.com

Maintenance

All interested parties, designer, specifier, main contractor and specialist installers should provide access to allow the fire stopping seals to be regularly inspected and maintained, as well as records kept of such maintenance at minimum periods of 12 months, as required by the Regulatory Reform Order, and repaired if necessary. Reference should be made to ASFP TGD 17 – Code of Practice for the Installation and Inspection of Fire Stopping.

Competency

It is vital that those entrusted to design or install a fire stopping product have the necessary levels of competence to undertake the task professionally and thoroughly. The level of competency required will be commensurate with the expected complexity of the building. All designers must eliminate, reduce or control foreseeable risks that may arise during installation, construction or maintenance when preparing or modifying designs. Clients should ensure that the principal designer and principal contractor carry out their duties under CDM regulations. The ASFP foundation course in passive fire protection provides essential knowledge as part of demonstrating competency and understanding in this key fire protection specialism.

Additional Notes

* The acoustic ratings quoted will vary depending on the door density and any additional threshold & perimeter seals used in conjunction with this product, contact us for confirmation before specifying.

Each fire door and hardware component will have its own test evidence. It is the responsibility of the purchaser to ensure that the product is fully compliant with the relevant test evidence, if in doubt please contact the technical team on: tel [01329 844 500](tel:01329844500) or email sales@astroflame.com

Health and Safety

Please see (SDS) Safety Data sheet - This can be requested from our sales team T: [01329 844 500](tel:01329844500)
or E: sales@astroflame.com

As part of our policy of ongoing improvements, we reserve the right to modify, alter or change product specifications without giving notice. Product illustrations are representations only. All information contained in this document is provided for guidance only, and as ASTROFLAME (FIRE SEALS) LTD has no control over the specific application or installation methods of the products, or of the prevailing site conditions, no warranties expressed or implied are intended to be given as to the actual performance of the products mentioned or referred to, and no liability whatsoever will be accepted for any loss, damage or injury arising from the use of the information given of products mentioned or referred to herein.

The above information to the best of our knowledge is true and accurate and based upon current test data and is supplied for your guidance only. Customers should satisfy themselves to the suitability of the product based on the products limitation of applications and that the product is fit for purpose for their intended use and no guarantee is given or implied since the conditions of actual use are beyond our control. ASTROFLAME (FIRE SEALS) LTD, disclaim any liability for loss, damage or other expense arising from the use of information, data or products mentioned or referred to and reserve the right to change any details or specifications without notice. If you are in any doubt as to the suitability of this product for your intended application please contact our technical team on 01329 844500 or email sales@astroflame.com and we will contact you.