

Product Data Sheet

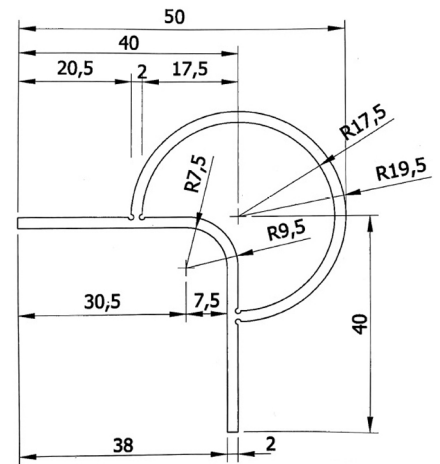
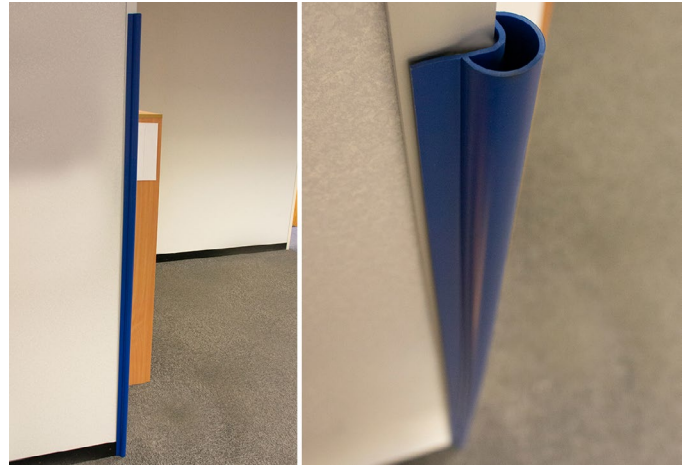
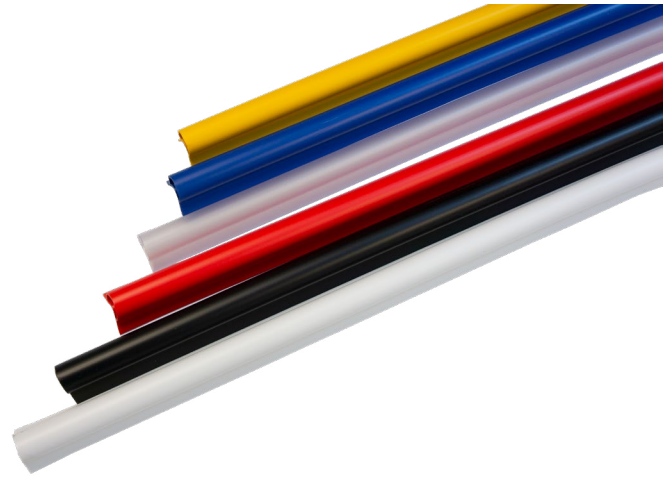
Corner Guard Wall Protection

Revision 1 - March 2018



Corner Guard - Wall Protection

- Budget Corner guard - Wall protection strips.
- Prevents injuries caused by collision with sharp pillars or wall edges.
- Can be used on almost all corners and edges of walls, windowsills, radiators, table corners etc.
- Suitable for use on any even and smooth interior surface.
- Tube padding which is highly durable.
- Resistant to shocks and scrapes.
- Rubber and light weight material.
- Quick and easy to install.
- Strip dimensions to a height of 2000mm.
- Strips can be cut to size on request.
- Various colour options.

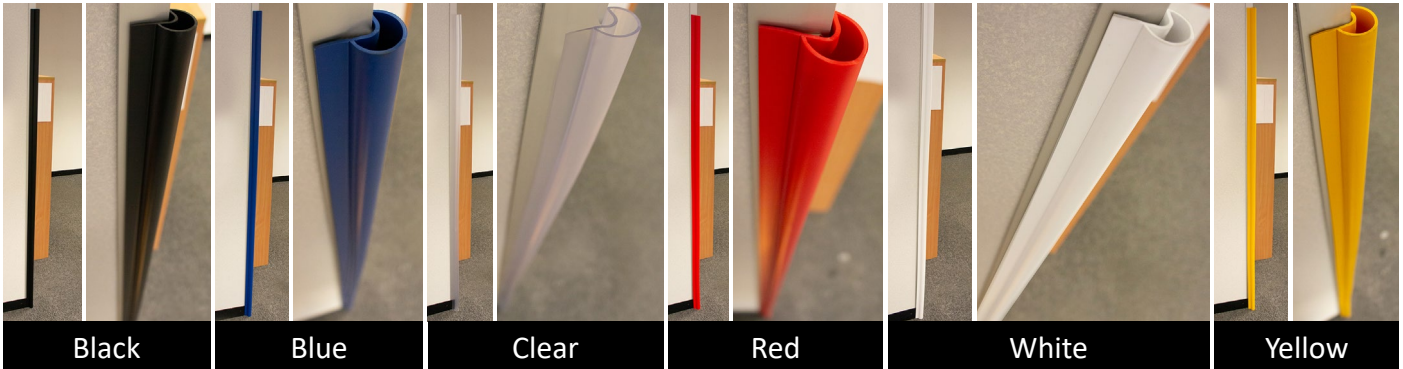


Product Description

A corner guard wall protection is perfect for the professional market. The corner guard stripes have been specifically designed to offer performance and function in domestic, commercial and heavy traffic areas. Designed to resist impact damage to vulnerable edges which suits most application areas.

The corner guard is also perfect for environments where children are playing to protect them from accidents. A collision with a sharp angles or edges can have serious consequences for children. The robust material of the corner guard absorbs the heaviest crashes, therefore corner guards are essential.

Product Availability



Product Code	Product Description	Length	Colour
AFCGWPBLK	Corner guard wall protection strip.	2000mm	Black
AFCGWPBLU	Corner guard wall protection strip.	2000mm	Blue
AFCGWPCL	Corner guard wall protection strip.	2000mm	Clear
AFCGWPR	Corner guard wall protection strip.	2000mm	Red
AFCGWPW	Corner guard wall protection strip.	2000mm	White
AFCGWPY	Corner guard wall protection strip.	2000mm	Yellow

Technical Information

Description: Lead free flexible PVC compound

Application: Extrusion hoses and profile, UV resistance

Technical characteristics: CAP FIAT 55251

Property	Test method	Unit	Tolerance	Value
Density(natural colour)	ISO 1183	gr/cm ³	±0,02	1.34
Hardness Shore "A" 15"	ISO 868	point	± 2	80
Tensile strength	ISO 527	N/mm ²	•	15
Elongation at break	ISO 527	%	•	300

The typical values reported in the table have been obtained from measurements made on extruded samples or pressed plates

Storage: compound must be stored at ambient temperature (not exceeding 30°C) in closed and unbroken packaging, in order to avoid exposure to sunlight and water absorption. Long stocking time may negatively affect the quality of the material. Therefore it shall be used within 12 months from the compounding date. After this deadline it's necessary to dry the material

Packaging: 25Kg plastic bags, big bags, carton oktamins or in silos truck.

Edition 04/2015

To Order & Specify

Please contact us and quote the following information - Quantity / Product Description / Product Code / Size
Typical wording - 10 / Corner guard wall protection strips / AFCGWPY / Yellow

>> Tel: [01329 844 500](tel:01329844500) or >> Email: sales@astroflame.com

Installation

For further information on installation requirements please contact the technical team on: tel [01329 844 500](tel:01329844500)
or email sales@astroflame.com

Health and Safety

The product does not present any known health hazards during or after installation. Normal good industrial and personal hygiene practices should be observed.

As part of our policy of ongoing improvements, we reserve the right to modify, alter or change product specifications without giving notice. Product illustrations are representations only. All information contained in this document is provided for guidance only, and as ASTROFLAME FIRESEALS LTD has no control over the installation methods of the products, or of the prevailing site conditions, no warranties expressed or implied are intended to be given as to the actual performance of the products mentioned or referred to, and no liability whatsoever will be accepted for any loss, damage or injury arising from the use of the information given of products mentioned or referred to herein.

The above information to the best of our knowledge is true and accurate and based upon current test data and is supplied for your guidance only. Customers should satisfy themselves to the suitability of the product in its intended use and no guarantee is given or implied since the conditions of actual use are beyond our control. ASTROflame (Fireseals) Ltd, disclaim any liability for loss, damage or other expense arising from the use of information, data or products mentioned or referred to and reserve the right to change any details or specifications without notice.