

# Installation Sheet

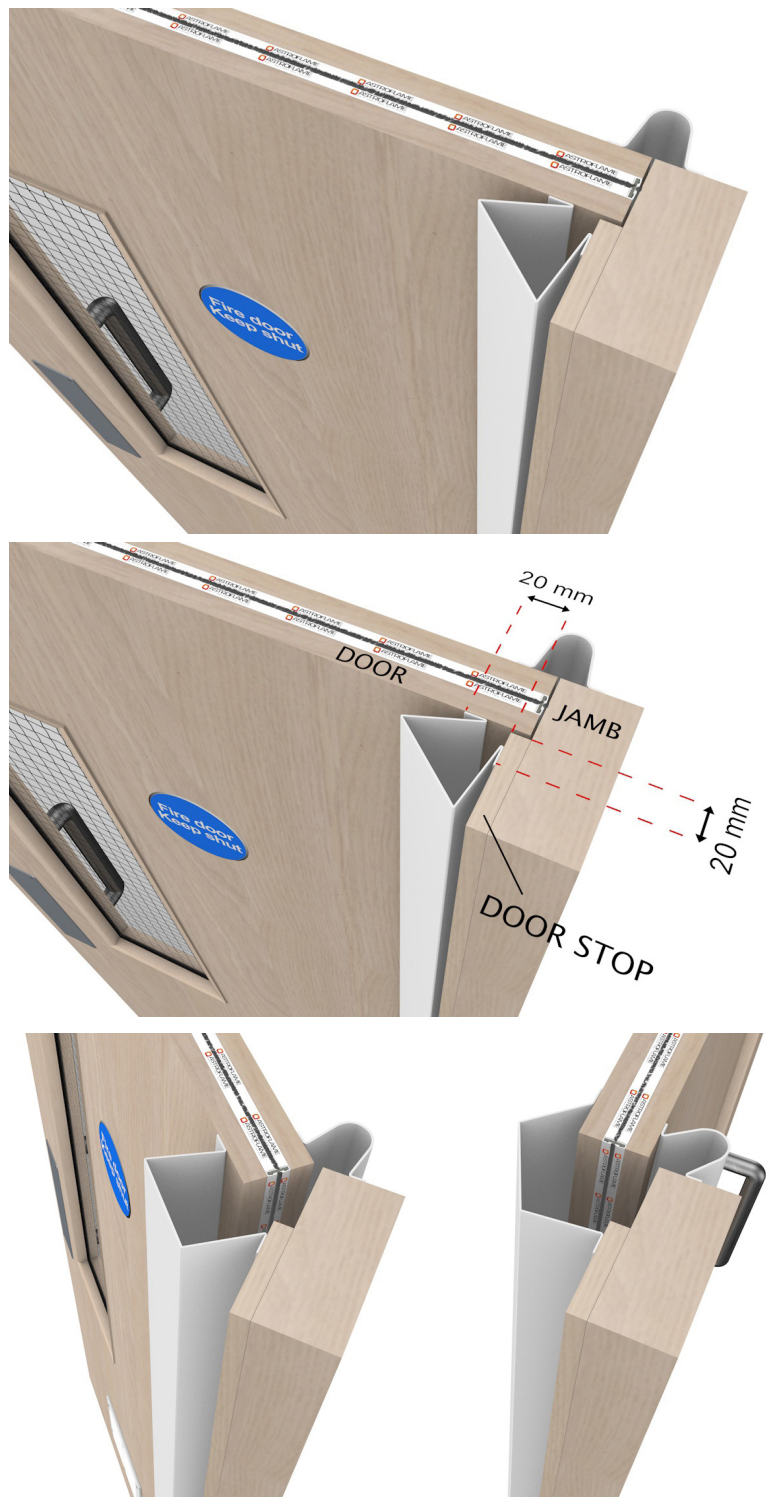
## Finger Keeper Commercial

Revision 2 - 17th January 2020



## Finger Keeper Commercial Tools & Equipment

- Measuring Block
- Carpenters Pencil
- Hacksaw
- Screw Driver



### Introduction

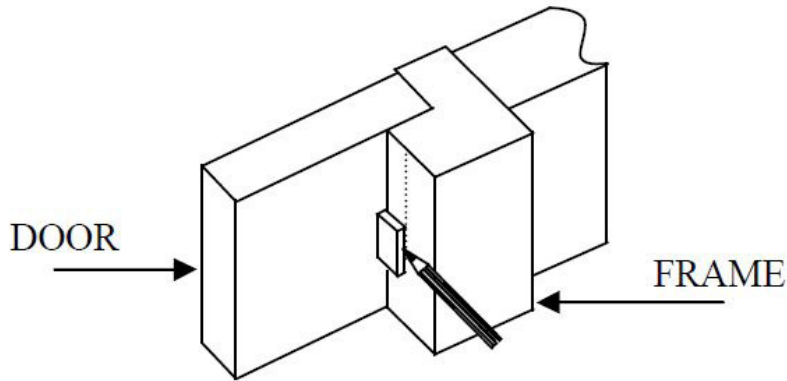
Finger Keeper is a finger guard that prevents door finger trapping accidents. By totally covering the gap that is created on the hinge side of a door, in the open position, it prevents finger trapping injuries. Finger Keeper can be fitted to most types of doors including wood, metal and uPVC.

Please read this instruction carefully before installing and using the device. The protective function and any possible guarantee of the device might be affected if you do not follow the instructions. Pass the instructions to the end user for future reference.

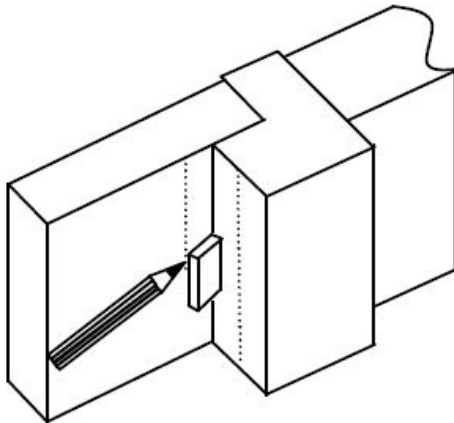
**WARNING – REPLACE THE DEVICE IF ANY PART IS BROKEN, TORN OR MISSING**

**Installation**

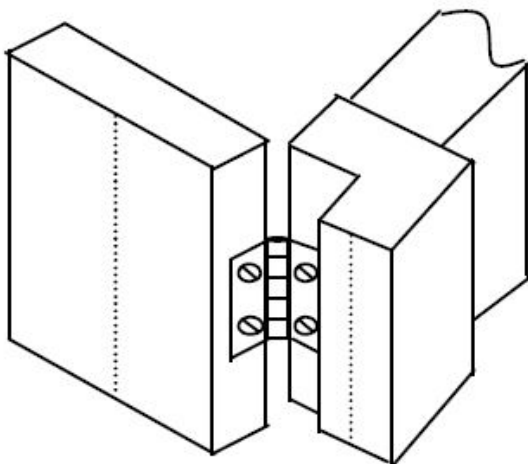
**Suitable For:** Standard timber or steel framed doors Minimum 35mm door thickness Butt hinged doors.  
Conventional pedestrian door sizes Opening angles up to 160°



1. With the door in the closed position, use a pencil/pen to draw a guideline on the door frame using the 20mm plastic measuring block (provided).

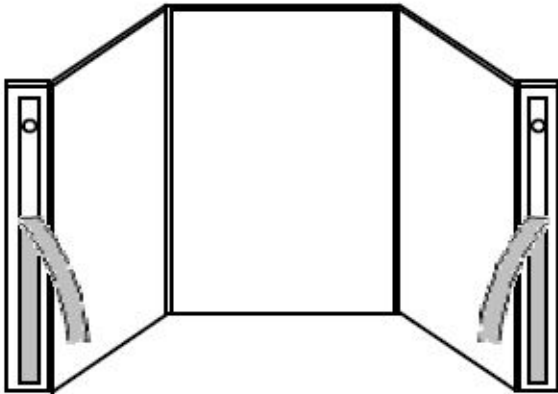


2. Simply repeat the procedure on the door to produce a second guideline.

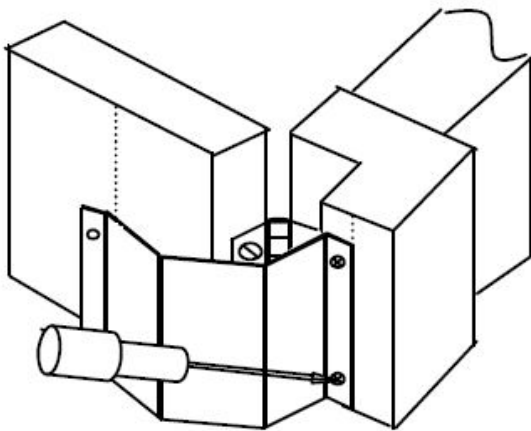


3. Now wedge the door in the fully open position.

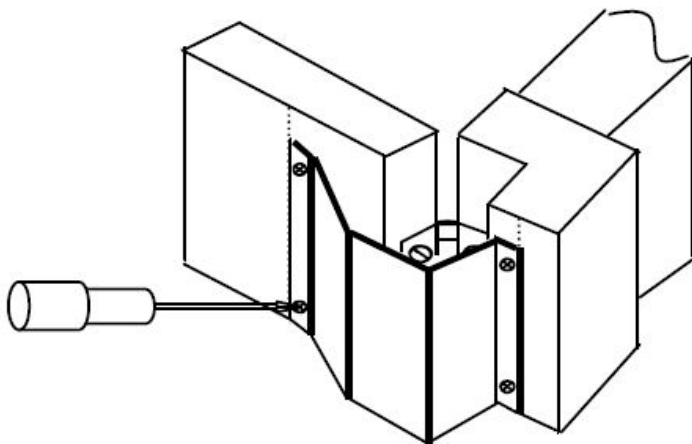
## Installation



4. Remove one layer only of the double sided tape from each side of the Finger Keeper Commercial.



5. Line up the edge of the Finger Keeper Commercial parallel to the guideline/pencil line on the frame. Press firmly to hold in position before finally securing with 0the screws (provided). (For metal doors and kick-plates pre-drill with 2.5mm drill bit).



6. Repeat this procedure to attach the Finger Keeper Commercial to the door itself.

## Storage and disposal

Astro Finger Keeper Commercial should be stored indoors. No shelf life is given as this product will not deteriorate in storage. For further information on installation requirements please contact the technical team on: tel [01329 844 500](tel:01329844500) or email [sales@astroflame.com](mailto:sales@astroflame.com)

As part of our policy of ongoing improvements, we reserve the right to modify, alter or change product specifications without giving notice. Product illustrations are representations only. All information contained in this document is provided for guidance only, and as ASTROFLAME (FIRE SEALS) LTD has no control over the specific application or installation methods of the products, or of the prevailing site conditions, no warranties expressed or implied are intended to be given as to the actual performance of the products mentioned or referred to, and no liability whatsoever will be accepted for any loss, damage or injury arising from the use of the information given of products mentioned or referred to herein.

The above information to the best of our knowledge is true and accurate and based upon current test data and is supplied for your guidance only. Customers should satisfy themselves to the suitability of the product based on the products limitation of applications and that the product is fit for purpose for their intended use and no guarantee is given or implied since the conditions of actual use are beyond our control. ASTROFLAME (FIRE SEALS) LTD, disclaim any liability for loss, damage or other expense arising from the use of information, data or products mentioned or referred to and reserve the right to change any details or specifications without notice. If you are in any doubt as to the suitability of this product for your intended application please contact our technical team on 01329 844500 or email [sales@astroflame.com](mailto:sales@astroflame.com) and we will contact you.