

Product Data Sheet

Astro Finger Defender RPQR - Quick Release System

Revision 1 - 4th March 2020



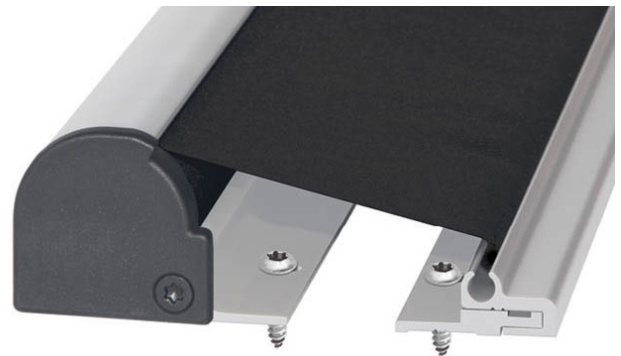
Astro Finger Defender RPQR

Quick Release Roller Blind Finger Guard

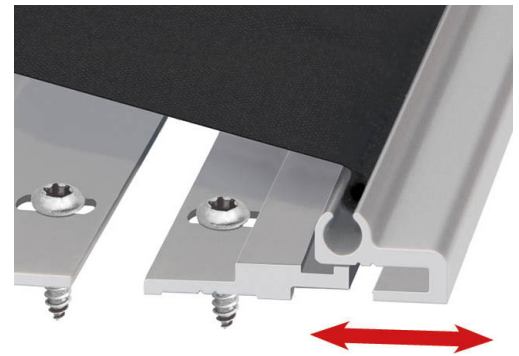
- Unique Quick release system allowing for inspection and maintenance of hinges, drop seals and fire seals on a fire door
- Prevents finger trapping accidents.
- Hard-wearing synthetic fibre fabric.
- The fibre fabric is washable and difficult to ignite B1.
- Concealed screws heads.
- Housing position adjustable (elongated holes).
- Suitable for most doors depending on door configuration.
- Certified and supervised quality (MPA).
- Only one person required for simple installation
- 2,000,000 test cycles.



Astro Finger Defender RPQR



A side view of the Astro Finger Defender RPQR



Easy clip-on system

Product Description

Astro Finger Defender RPQR - quick release system is a high quality finger guard with resilient blind. When the door opens the roller blind extends to prevent fingers entering the cavity formed between the edge of the door and door frame. A hard wearing synthetic fibre fabric which is mountable, removable, washable and also fire retardant B1 treated.

Astro Finger Defender RPQR - quick release system has a unique advantage to other finger guards within the market. With its quick release system on one side of the device which allows for inspection and maintenance of hinges, drop seals and fire seals on a fire door. Making this process much easier than a device which needs to be completely removed.

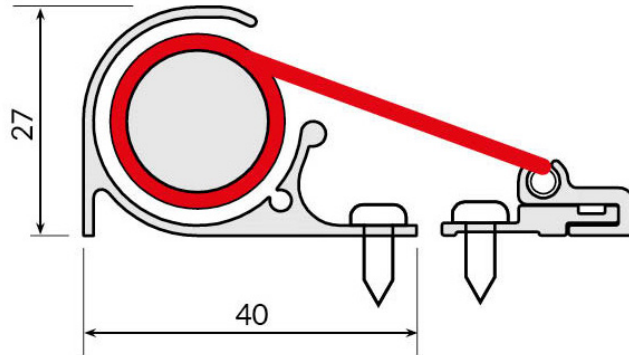
The Astro Finger Defender RPQR comes with 8 screws without any of the screw heads being visible. The housing position on this finger guard is adjustable (elongated holes). It is suitable for almost all doors depending on door configuration and has a Certified and supervised quality (MPA).

The Astro Finger Defender RPQR has been independently tested to over 2 million test cycles.

Product Description

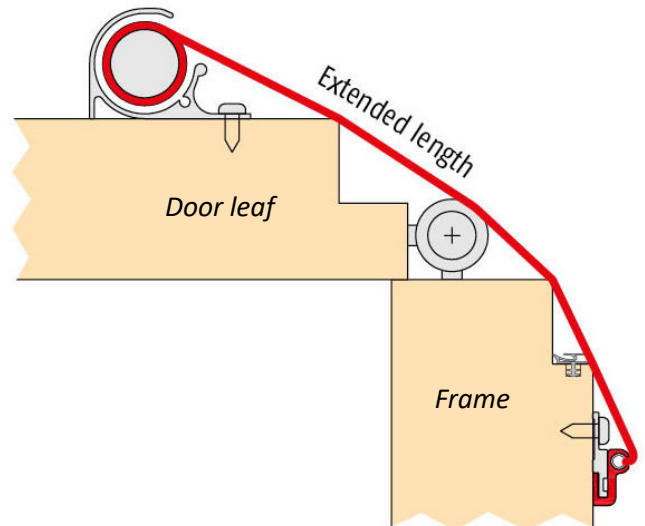
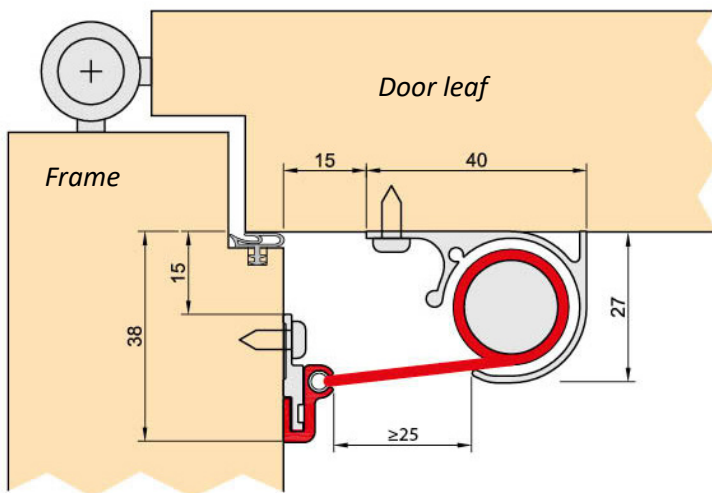
The profile is made of aluminium and available in a standard finish. The standard length is 1925mm with a 260mm extended fabric blind.

Astro Finger Defender RPQR (measurements in mm)

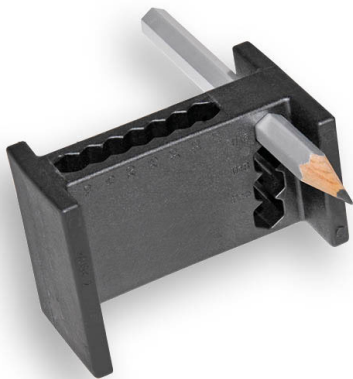


Door closed, roller blind retracted (measurements in mm)

Door open, roller blind extended



Use the **Quick Install Mark Aid** kit (Sold Separately) to make the installation of our *Astro Finger Defender RPQR* easier and quicker.



Product Availability

Standard length is 1925mm with a 260mm extended fabric blind.

Standard Lengths			
Product Code	Description	Size	Colour
AFFDEFSAF/RPQR	Astro Finger Defender RPQR	1925mm	Satin Anodised Aluminium

To Order & Specify

Please contact us and quote the following information - Quantity / Product Description / Product Code / Colour / Size
Typical wording - 10no / Astro Finger Defender RPQR / AFFDEFSAF/RPQR / Satin Anodised Aluminium / 1925mm

>> Tel: [01329 844 500](tel:01329844500) or >> Email: sales@astroflame.com

Health and Safety

For further information on health and safety requirements please contact the technical team on: tel [01329 844 500](tel:01329844500)
or email sales@astroflame.com

Installation

For further information on installation please see the installation sheet or contact the technical team
on: tel [01329 844 500](tel:01329844500) or email sales@astroflame.com

As part of our policy of ongoing improvements, we reserve the right to modify, alter or change product specifications without giving notice. Product illustrations are representations only. All information contained in this document is provided for guidance only, and as ASTROFLAME (FIRE SEALS) LTD has no control over the specific application or installation methods of the products, or of the prevailing site conditions, no warranties expressed or implied are intended to be given as to the actual performance of the products mentioned or referred to, and no liability whatsoever will be accepted for any loss, damage or injury arising from the use of the information given of products mentioned or referred to herein.

The above information to the best of our knowledge is true and accurate and based upon current test data and is supplied for your guidance only. Customers should satisfy themselves to the suitability of the product based on the products limitation of applications and that the product is fit for purpose for their intended use and no guarantee is given or implied since the conditions of actual use are beyond our control. ASTROFLAME (FIRE SEALS) LTD, disclaim any liability for loss, damage or other expense arising from the use of information, data or products mentioned or referred to and reserve the right to change any details or specifications without notice. If you are in any doubt as to the suitability of this product for your intended application please contact our technical team on 01329 844500 or email sales@astroflame.com and we will contact you.