

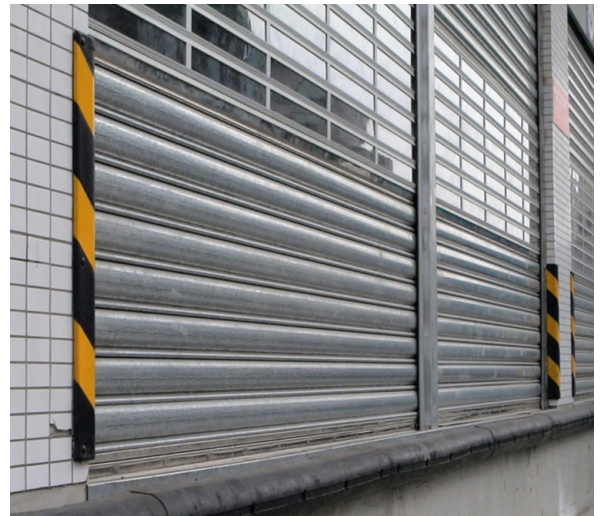
Installation Sheet

Astro corner guard industrial

Revision 2 - May 2018

Astro corner guard industrial Tools & Equipment

- Steel Tape Measure
- Carpenters Pencil
- Cleaning cloth
- Drill



Introduction

The purpose of this document is to give guidance to approved contractors and suppliers who are engaged in the prevention of corner accidents using the Astro corner guard industrial.

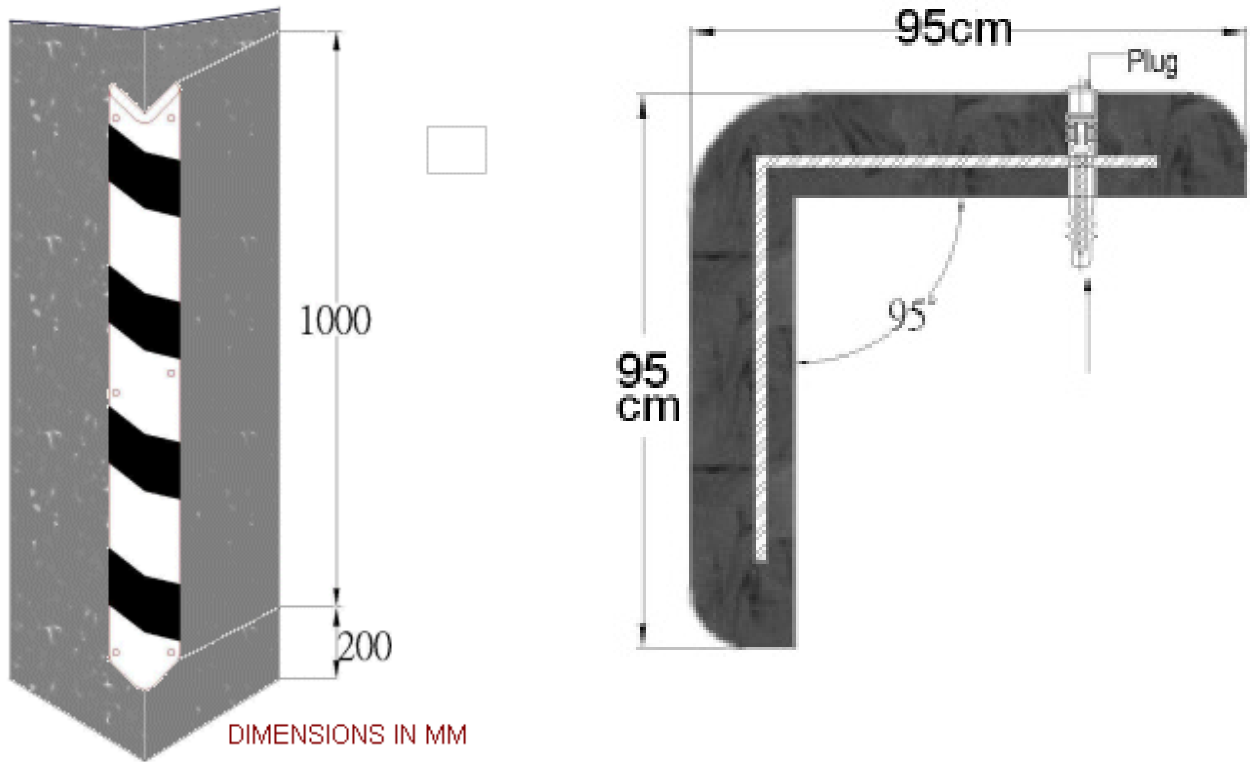
A reflective corner guard used as protective cushioning on corners and hard edges of buildings to prevent damage to or from vehicles. Typical applications are car parks, loading bays and warehouses. Corner Guard Industrial padding has an aluminium 'spine' which further reduces the risk of damage to property and vehicles

Dimensions: 1000 x 95 x 95 xmm. Padding is 18mm deep.

Installation

The wall guard is supplied pre-drilled and with fixing bolts and caps. Cap the fitting holes with a push in nylon caps.

Min fitting height from the floor is 200mm as illustrated



Material: Integral Skin Urethane with aluminum strip to increase strength. Reflective tapes cover the corner guard strip.

Test information

Physical properties:

Compression set (%) 70 °C ,22 hrs: 37 (CNS 3560).

Tensile Strength (kgf/cm): 42.1 (CNS 3553).

Elongation (%): 79 (CNS 3553).

Tear Strength (kgf/cm): 1 0.6 (CNS 3559):

Aging Test: 100 °C ,70 hrs

Tensile Strength (kgf/cm):46.3 (CNS 3553):

Elongation(%): 75 (CNS 3553).

Tear Strength (kgf/cm): 10.6 (CNS 3559):

Biological Agents:

Bacteriostasis of Aspergillus Niger BCRC 31512:

According to the evaluation standard, Antifungal Test (ASTM G21-96), the resistant level offungus is level O

Antibacterial Tests of Staphylococcus Aureus

According to the evaluation standard, JIS Z2801, the value ofantibacterial activity is 6.15.

The value of antibacterial activity shall not be less than 2.0 for the antimicrobial efficacy

Safety Test:

According to the national standards CNS 4797-4797-3, 4798, 4798-1-3, 4798-10-37

Meets the safety requirements of construction.

Meets the safety requirements of non-flammability.

Meet the safety requirements of toxicology (no heavy metal and no toluene):

Fire Tests:

Meets the requirement ofthe UL 94 HBF, Horizontal Burning Foamed Material Test, and EN 71 Part 2:

Storage and disposal

Astro corner guard industrial should be stored indoors. No shelf life is given as this product will not deteriorate in storage. For further information on installation requirements please contact the technical team on: tel [01329 844 500](tel:01329844500) or email sales@astroflame.com

As part of our policy of ongoing improvements, we reserve the right to modify, alter or change product specifications without giving notice. Product illustrations are representations only. All information contained in this document is provided for guidance only, and as ASTROFLAME FIRESEALS LTD has no control over the installation methods of the products, or of the prevailing site conditions, no warranties expressed or implied are intended to be given as to the actual performance of the products mentioned or referred to, and no liability whatsoever will be accepted for any loss, damage or injury arising from the use of the information given of products mentioned or referred to herein.

The above information to the best of our knowledge is true and accurate and based upon current test data and is supplied for your guidance only. Customers should satisfy themselves to the suitability of the product in its intended use and no guarantee is given or implied since the conditions of actual use are beyond our control. ASTROflame (Fireseals) Ltd, disclaim any liability for loss, damage or other expense arising from the use of information, data or products mentioned or referred to and reserve the right to change any details or specifications without notice.