

Product Data Sheet

Acoustic Double Door Seals

Revision 2 - 23rd April 2019

Acoustic Double Door Seals

Acoustic Double Door Seals & Door Seal - Rebate Fit

- Sound Reduction of up to 36dB*
- Suitable for Plain or Rebated styles
- Easy to install - self adhesive seals
- Colour options Black, Brown, White, Light Oak

The Astro AS Flipper Seal



The Astro AS Quad Flipper Seal



Product Description

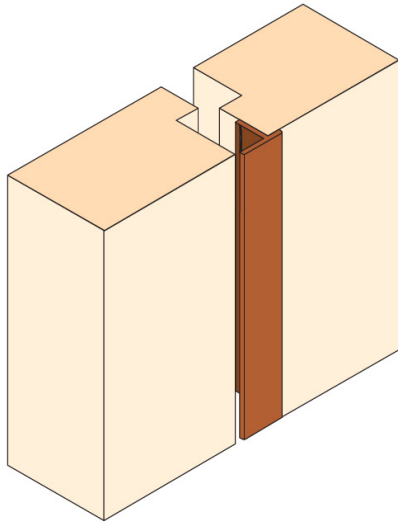
The Astro AS Flipper Seal with a double flipper meeting style seal has been designed for use with either plain or rebated double doorsets, specifically to improve the aesthetics and acoustic properties. It has been tested to show an unaided weighted sound reduction of up to 36dB*. The product is supplied fitted with a high performance self adhesive tape to allow the product to be fitted in position prior to screw fixing and is available in various colours.

This Quad Flipper meeting style seal has been designed for use with either plain or rebated double doorsets, particularly where centre latches are required, but specifically to improve the aesthetics and acoustic properties. It has been tested to show an unaided weighted sound reduction of up to 34dB*.

The product is supplied fitted with a high performance self adhesive tape to allow the product to be fitted in position prior to screw fixing and is easily cut to shape to accommodate latch plates.

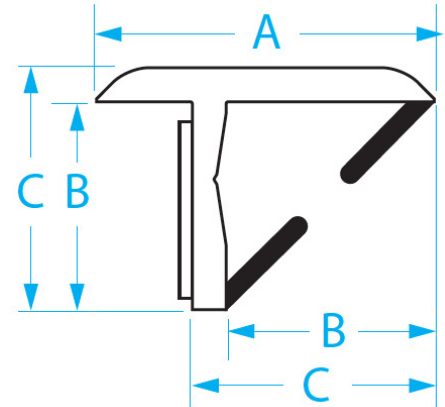
Product Description

The Astro AS Flipper Seal.



Dimensions:

- A 18.0mm
- B 11.0mm
- C 13.0mm



All seals showing an E Doc symbol and stating a dB rating have been independently tested by an accredited test laboratory in order to obtain the rating stated.

* The actual acoustic performance obtained depends on a variety of factors, such as the door density and any additional threshold & perimeter seals used in conjunction with this product. If in doubt contact us for confirmation.

A slimline 34dB reduction acoustic seal is available at Astroflame - [Quad Flipper Seal](#)

Symbols Key

	Light		Document E
	Weatherproof		Easy Access
	Acoustic seal		Smoke seal
	Insectproof		Draught seal

Product Availability

Sold individually in 2100mm lengths

Product Code	Description	Colour	Length
AFASFLIPBLK	Astro AS Flipper Seal	Black	2100mm
AFASFLIPBRN	Astro AS Flipper Seal	Brown	2100mm
AFASFLIPWHT	Astro AS Flipper Seal	White	2100mm
AFASFLIPO	Astro AS Flipper Seal	Light Oak	2100mm

To Order & Specify

Please contact us and quote the following information - Quantity / Product Description / Product Code / Colour
Typical wording - 10 / Astro AS Flipper Seal / AFASFLIPBLK / Black

>> Tel: [01329 844 500](tel:01329844500) or >> Email: sales@astroflame.com

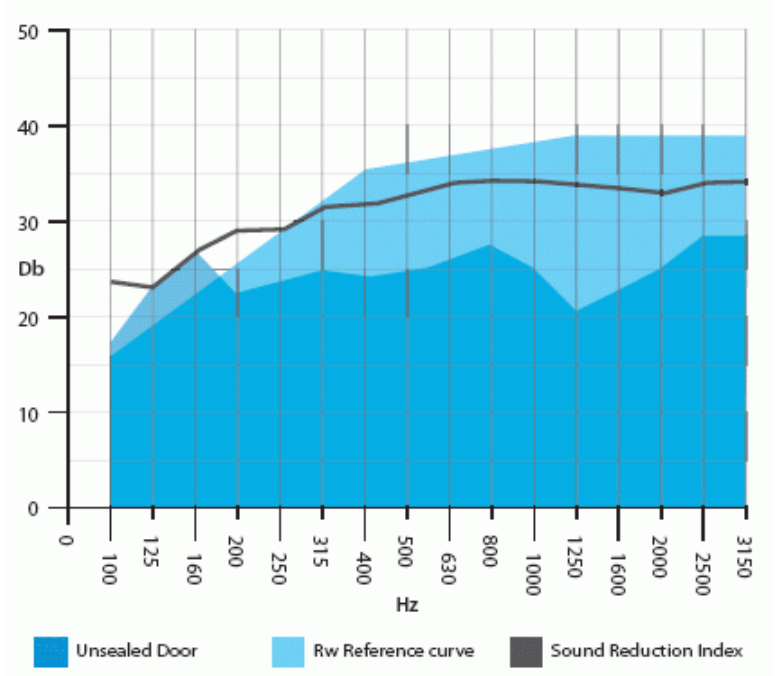
Installation

For further information on installation requirements please contact the technical team on: tel [01329 844 500](tel:01329844500) or email sales@astroflame.com

Fire Test and Assessment Reports

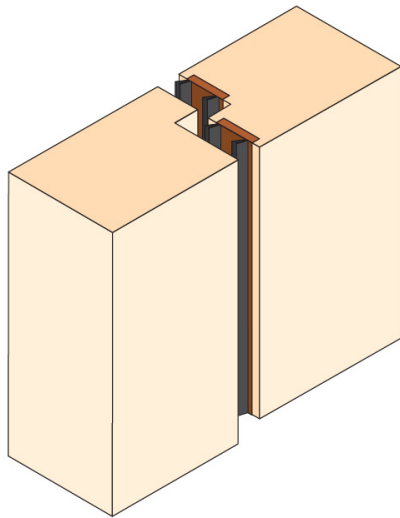
Testing undertaken in accordance with BS EN ISO240-3:1995 revealed a timber doorset assembly with no seals fitted around the perimeter of the doorset achieved a R_w 23dB rating. This falls well below the minimum specified in Approved Document E which is 29dB. When tested again with the Astro AS Flipper Seal there was an increase in the performance to R_w 36dB.

For further information please contact the technical team on: tel [01329 844 500](tel:01329844500) or email sales@astroflame.com



Product Description

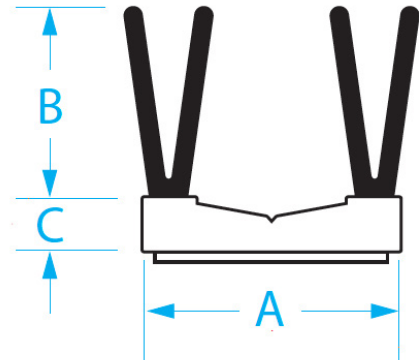
The Astro AS Quad Flipper Seal.



Dimensions:

- A 10mm
- B 7.5mm
- C 2.0mm

Requires an 10mm x 2mm groove



All seals showing an E Doc symbol (Approved Document 'E') and stating a dB rating have been independently tested by an accredited test laboratory in order to obtain the rating stated.

* The actual acoustic performance obtained depends on a variety of factors, such as the door density and any additional threshold & perimeter seals used in conjunction with this product. If in doubt contact us for confirmation.

A -36dB acoustic seal is available at Astroflame - [AS Flipper Seal](#)

Symbols Key			
	Light		Document E
	Weatherproof		Easy Access
	Acoustic seal		Smoke seal
	Insectproof		Draught seal

Product Availability

Sold individually in 2100mm lengths

Product Code	Description	Colour	Length
AFASQFLIPBLK	Astro AS Quad Flipper Seal	Black	2100mm
AFASQFLIPBRN	Astro AS Quad Flipper Seal	Brown	2100mm
AFASQFLIPWHT	Astro AS Quad Flipper Seal	White	2100mm
AFASQFLIPL	Astro AS Quad Flipper Seal	Light Oak	2100mm

To Order & Specify

Please contact us and quote the following information - Quantity / Product Description / Product Code / Colour
Typical wording - 10 / Astro AS Quad Flipper Seal / AFASQFLIPBLK / Black

>> Tel: [01329 844 500](tel:01329844500) or >> Email: sales@astroflame.com

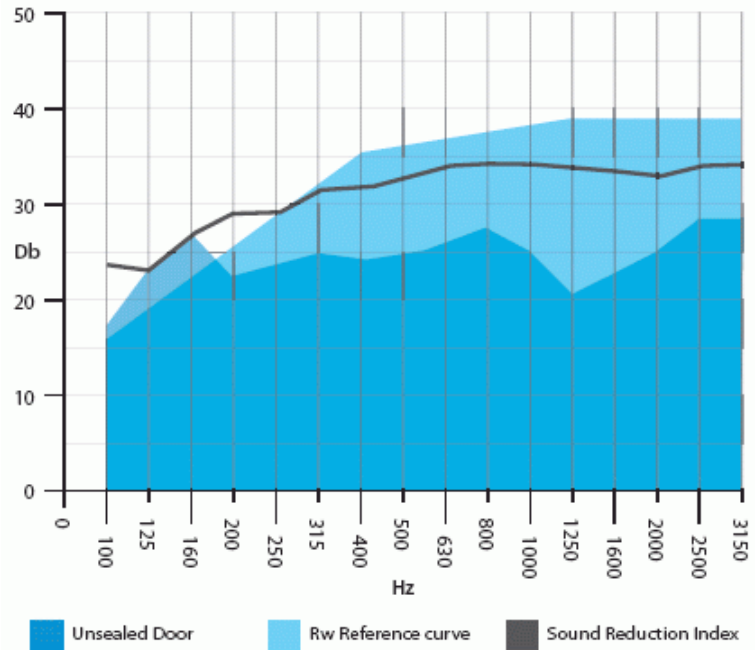
Installation

For further information on installation requirements please contact the technical team on: tel [01329 844 500](tel:01329844500) or email sales@astroflame.com

Fire Test and Assessment Reports

Testing undertaken in accordance with BS EN ISO240-3:1995 revealed a timber doorset assembly with no seals fitted around the perimeter of the doorset achieved a R_w 23dB rating. This falls well below the minimum specified in Approved Document E which is 29dB. When tested again with the Astro AS Quad Flipper Seal there was an increase in the performance to R_w 34dB.

For further information please contact the technical team on: tel [01329 844 500](tel:01329844500) or email sales@astroflame.com



Health and Safety

For further information on health and safety requirements please contact the technical team on: tel [01329 844 500](tel:01329844500) or email sales@astroflame.com

As part of our policy of ongoing improvements, we reserve the right to modify, alter or change product specifications without giving notice. Product illustrations are representations only. All information contained in this document is provided for guidance only, and as ASTROFLAME FIRESEALS LTD has no control over the installation methods of the products, or of the prevailing site conditions, no warranties expressed or implied are intended to be given as to the actual performance of the products mentioned or referred to, and no liability whatsoever will be accepted for any loss, damage or injury arising from the use of the information given of products mentioned or referred to herein.

The above information to the best of our knowledge is true and accurate and based upon current test data and is supplied for your guidance only. Customers should satisfy themselves to the suitability of the product in its intended use and no guarantee is given or implied since the conditions of actual use are beyond our control. ASTROflame (Fireseals) Ltd, disclaim any liability for loss, damage or other expense arising from the use of information, data or products mentioned or referred to and reserve the right to change any details or specifications without notice.