

# Product Data Sheet

## Astro Finger Defender - Washable

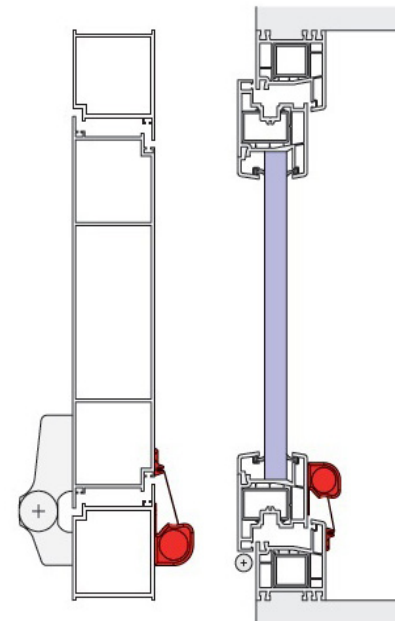
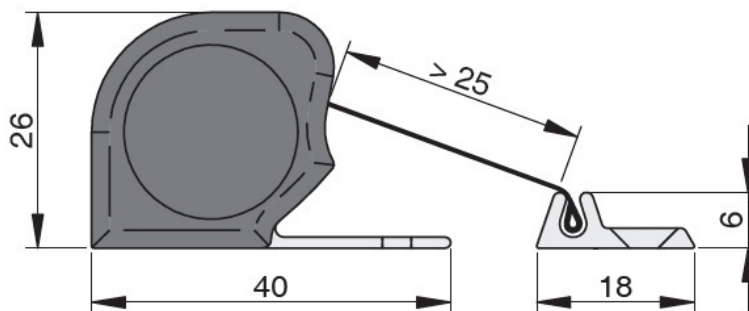
Revision 2 - April 2018



## Astro Finger Defender - Washable

### Finger Defender Washable hinge guard

- Ideal for hospital, kitchens and other clean areas.
- Water resistant and easy to clean - perfect for **sterile environments**.
- Perfect weather-proof finger guard for exterior/interior doors.
- Temperature range -20 to +50°C.
- For most single & double action doors.
- Suitable for manual or automated opening.
- Prevents finger trapping accidents.
- Extremely durable and low maintenance.
- Impact resistant aluminium housing.
- Silver anodised aluminium finish.
- 1925mm standard size and meets EN16005.



#### Product Description

Astro Finger Defender - Washable is ideal for hospitals, kitchens and other clean areas. Perfect for **sterile environments** as it can be steamed cleaned, so surfaces are wipeable and easy to clean. The Astro Finger Defender - Washable is also a high quality finger guard ideal for use with external doors subject to weathering forces. The guard is resistant to: rain, snow, frost, foliage, dirt and UV light with an operating temperature range of -20 to +50 °C.

This guard has an increased wall thickness for extra durability and has been tested to over 1,000,000 cycles. The guard is attached by concealed fixings and the tension in the blind prevents fingers entering the hinge gap, where they may be subject to trapping. Supplied with instructions and all fixings.

### Product Availability

Standard lengths : 1925mm. **2015mm Longer length sizes available to order.**

Colours: Satin anodised aluminium housing with anthracite grey (RAL 7016) blind.

Product Code	Description	Size	Colour
AFFDEFSAFEXT	Finger Defender - Washable	1925mm	Satin anodised aluminium

### To Order & Specify

Please contact us and quote the following information - Quantity / Product Description / Product Code / Colour / Size  
Typical wording - 10no / Finger Defender - Washable / AFFDEFSAFEXT / SAA / 1925mm

>> Tel: [01329 844 500](tel:01329844500) or >> Email: [sales@astroflame.com](mailto:sales@astroflame.com)

### Health and Safety

For further information on health and safety requirements please contact the technical team on: tel [01329 844 500](tel:01329844500)  
or email [sales@astroflame.com](mailto:sales@astroflame.com)

### Installation

For further information on installation please see the installation video or contact the technical team  
on: tel [01329 844 500](tel:01329844500) or email [sales@astroflame.com](mailto:sales@astroflame.com)

As part of our policy of ongoing improvements, we reserve the right to modify, alter or change product specifications without giving notice. Product illustrations are representations only. All information contained in this document is provided for guidance only, and as ASTROFLAME FIRESEALS LTD has no control over the installation methods of the products, or of the prevailing site conditions, no warranties expressed or implied are intended to be given as to the actual performance of the products mentioned or referred to, and no liability whatsoever will be accepted for any loss, damage or injury arising from the use of the information given of products mentioned or referred to herein.

The above information to the best of our knowledge is true and accurate and based upon current test data and is supplied for your guidance only. Customers should satisfy themselves to the suitability of the product in its intended use and no guarantee is given or implied since the conditions of actual use are beyond our control. ASTROflame (Fireseals) Ltd, disclaim any liability for loss, damage or other expense arising from the use of information, data or products mentioned or referred to and reserve the right to change any details or specifications without notice.