

Trade Name: ASTRO FINGER DEFENDER - EXTERNAL

Finger Defender External

COSHH Data

Installation Data

Product Images

Installation Video

A weather-proof finger guard for exterior doors.

Temperature range -20 to +50 °C

For most single & double action doors.

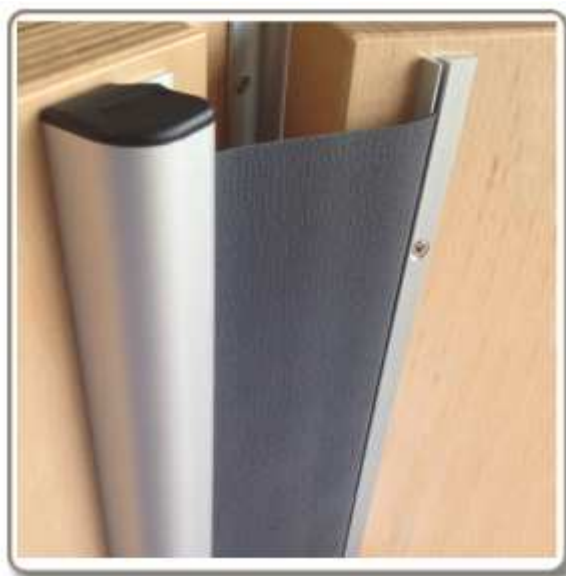
Suitable for manual or automated opening.

Prevents finger trapping accidents.

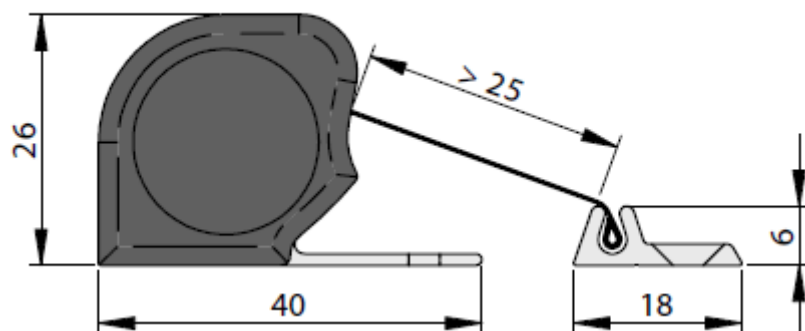
Extremely durable and low maintenance.

Impact resistant aluminium housing.

Silver Anodised Aluminium Finish.



Dimensions



All dimensions in mm

Description

Astro Finger Defender - External is a high quality finger guard for use with external doors subject to weathering forces.

The guard is resistant to: rain, snow, frost, foliage, dirt and UV light with an operating temperature range of -20 to +50 °C.

This guard has an increased wall thickness (compared to the interior version) for extra durability and the blind material is designed for external use.

Surfaces are wipeable and easy to clean.

The guard is attached by concealed fixings and is suitable for retrofitting.

The tension in the blind prevents fingers entering the hinge gap, where they may be subject to trapping.

Supplied with instructions and all fixings.

Availability

Lengths : 1925 mm

Colours: Satin Anodised Aluminium housing with Anthracite Grey (RAL 7016) blind fabricl.

To Order & Specify

Item	Colour	Length	Product Code
Finger Defender External	Silver Anodized	1925 mm	AFFDEFSAFEXT

Please quote- Quantity / Trade name / Size / Colour / Product Ref

Typical wording- 10 / ASTRO FINGER DEFENDER EXTERNAL / AFFDEFSAFEXT

Health and Safety

The product does not present any known health hazards during or after installation. Normal good industrial and personal hygiene practises should be observed.

As part of our policy of ongoing improvements, we reserve the right to modify, alter or change product specifications without giving notice. Product illustrations are representations only. All information contained in this document is provided for guidance only, and as ASTROFLAME FIRESEALS LTD has no control over the installation methods of the products, or of the prevailing site conditions, no warranties expressed or implied are intended to be given as to the actual performance of the products mentioned or referred to, and no liability whatsoever will be accepted for any loss, damage or injury arising from the use of the information given of products mentioned or referred to herein.

The above information to the best of our knowledge is true and accurate and based upon current test data and is supplied for your guidance only. Customers should satisfy themselves to the suitability of the product in its intended use and no guarantee is given or implied since the conditions of actual use are beyond our control. ASTROflame (Fireseals) Ltd, disclaim any liability for loss, damage or other expense arising from the use of information, data or products mentioned or referred to and reserve the right to change any details or specifications without notice.

Astroflame (Fire Seals) Ltd. Intumescent House
Unit 8, The IO Centre, Stephenson Road, Segensworth
FAREHAM, ENGLAND PO15 5RU

tel 0800 023 2482
(01329 844500)

fax 0800 023 2483
(01329 844600)

intl
tel +44 1329 844500

fax +44 1329 844600

email sales@astroflame.com

