

# Product Data Sheet

## Astro Finger Defender - Glass

Revision 6 - 17th January 2020

## Astro Finger Defender - Glass

### Finger Defender hinge guard for glass doors

- A finger guard exclusively for glass doors.
- Suitable for most single or double-action glass doors.
- Suitable for manual or automated opening glass doors.
- Prevents finger trapping accidents.
- Extremely durable and maintenance free.
- Tested to over 1 million open & closing cycles.
- Suitable for 180° opening depending on door configuration.
- Satin Anodised Aluminium roller system housing with Black fire retardant fabric.

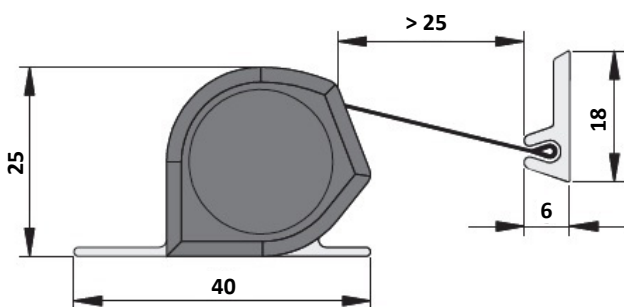


#### Product Description

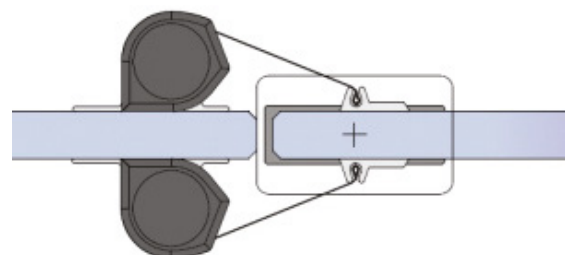
Astro Finger Defender - Glass is a high quality finger guard designed exclusively for use with glass doors. It uses a resilient blind mounted in a robust aluminium housing that attaches to the door frame. The other end of the blind is fixed to the surface of the glass door via an aluminium strip with built-in acrylate-foam high performance tape.

The tension in the blind prevents fingers entering the hinge gap, where they may be subject to trapping. Independently tested to over 1 million opening & closing cycles

*Astro Finger Defender - Glass (measurements in mm)*



*Centre Pivot Glass Door fitted with dual finger guards.*



### Product Availability

Standard length 1925mm, a 2015mm Longer length available to order to comply with EN16605.  
Max opening width 260mm

Product Code	Description	Size	Colour
AFFDEFSAFGL	Astro Finger Defender - Glass	1925mm	Satin Anodised Aluminium

### To Order & Specify

Please contact us and quote the following information - Quantity / Product Description / Product Code / Colour / Size  
Typical wording - 10no / Astro Finger Defender - Glass / AFFDEFSAFGL / SAA / 1925mm

>> Tel: [01329 844 500](tel:01329844500) or >> Email: [sales@astroflame.com](mailto:sales@astroflame.com)

### Health and Safety

For further information on health and safety requirements please contact the technical team on: tel [01329 844 500](tel:01329844500)  
or email [sales@astroflame.com](mailto:sales@astroflame.com)

### Installation

For further information on installation please see the installation sheet or contact the technical team  
on: tel [01329 844 500](tel:01329844500) or email [sales@astroflame.com](mailto:sales@astroflame.com)

As part of our policy of ongoing improvements, we reserve the right to modify, alter or change product specifications without giving notice. Product illustrations are representations only. All information contained in this document is provided for guidance only, and as ASTROFLAME (FIRE SEALS) LTD has no control over the specific application or installation methods of the products, or of the prevailing site conditions, no warranties expressed or implied are intended to be given as to the actual performance of the products mentioned or referred to, and no liability whatsoever will be accepted for any loss, damage or injury arising from the use of the information given of products mentioned or referred to herein.

The above information to the best of our knowledge is true and accurate and based upon current test data and is supplied for your guidance only. Customers should satisfy themselves to the suitability of the product based on the products limitation of applications and that the product is fit for purpose for their intended use and no guarantee is given or implied since the conditions of actual use are beyond our control. ASTROFLAME (FIRE SEALS) LTD, disclaim any liability for loss, damage or other expense arising from the use of information, data or products mentioned or referred to and reserve the right to change any details or specifications without notice. If you are in any doubt as to the suitability of this product for your intended application please contact our technical team on 01329 844500 or email [sales@astroflame.com](mailto:sales@astroflame.com) and we will contact you.