

Installation Sheet

Astro Finger Defender

Revision 2 - 17th January 2020



Astro Finger Defender Tools & Equipment

- Steel Tape Measure
- Carpenters Pencil
- Hand Brush & Dust Pan
- Hand Drill
- Screw Driver



Introduction

The purpose of this document is to give guidance to approved contractors and suppliers who are engaged in the prevention of finger trap accidents using the Astro Finger Defender system.

Astro Finger Defender is a high quality, resilient blind that prevents fingers entering the cavity formed between the edge of the door and door frame.

The blind is mounted in a robust aluminium housing unlike a concertina style blind, which is constantly exposed and can suffer damage as a result.

A robust housing protects Astro Finger Defender when not in use.

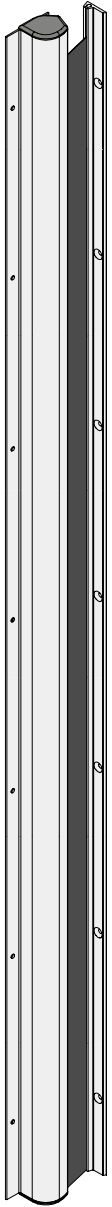
Independently tested to over 1 million opening & closing cycles and prevents fingers entering the cavity formed between the door and the frame by means of an inflammable blind, which opens and closes with the action of the door.

The guard is suitable for use on 60 minute fire doors.

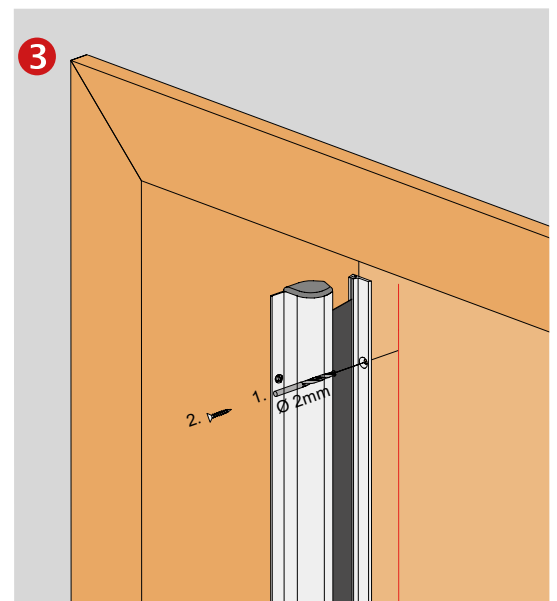
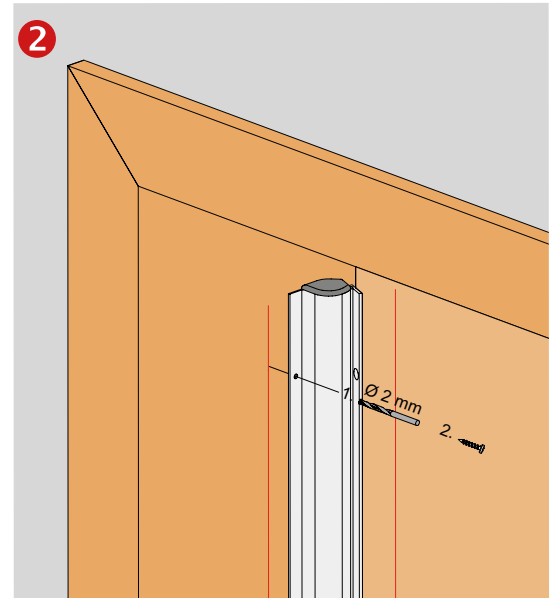
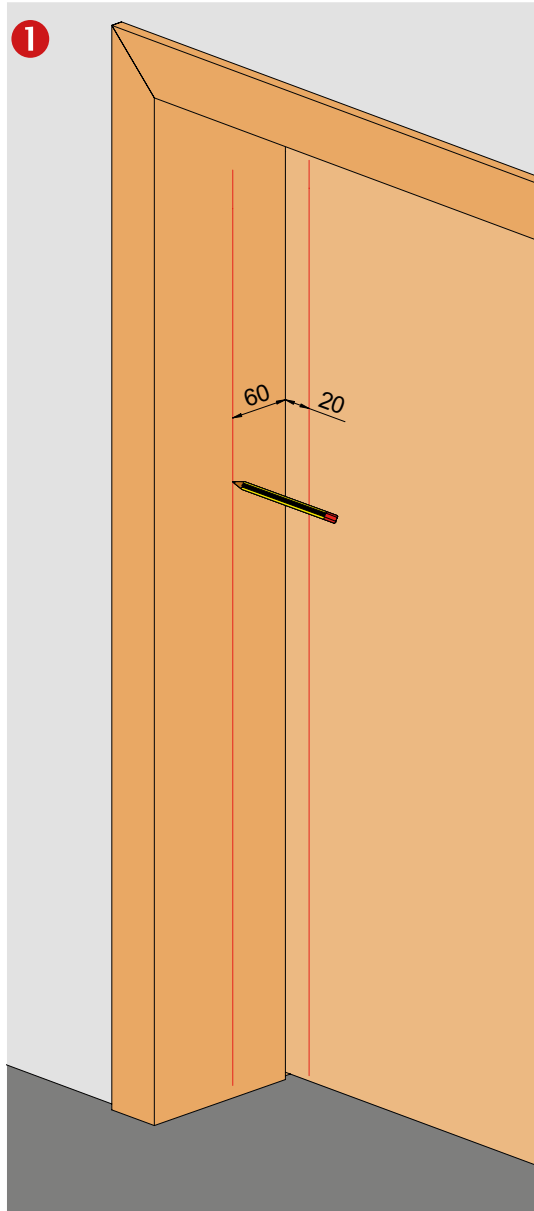
Installation

A detailed installation sheet is provided with the product, please see information and diagrams below.

Included

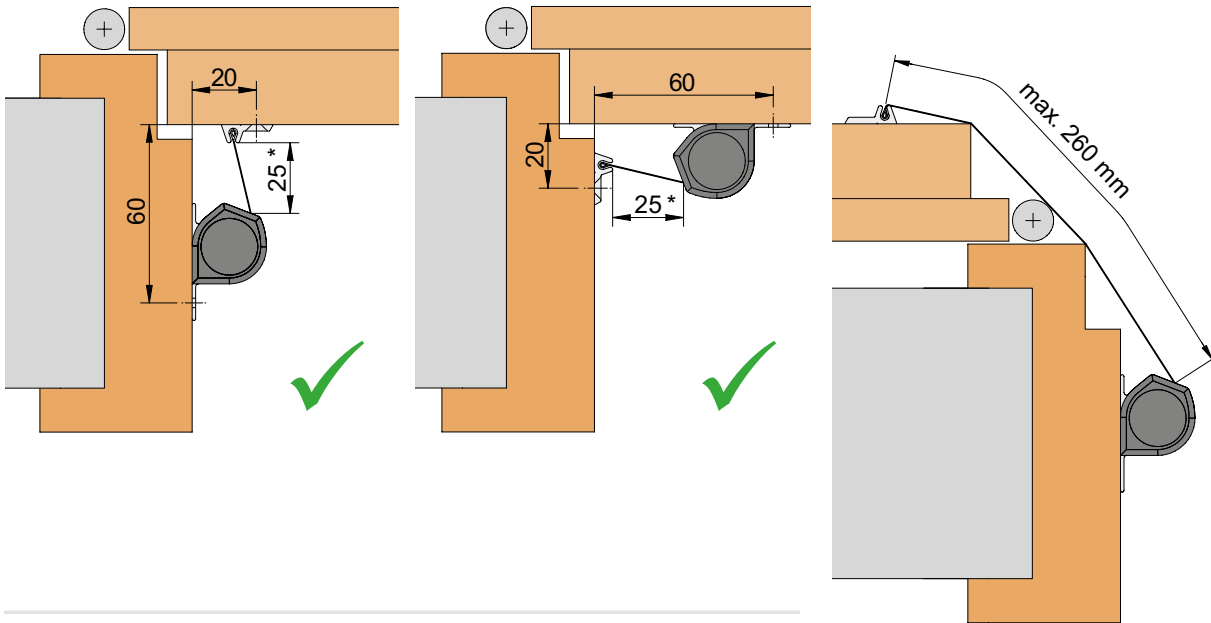


Fitting

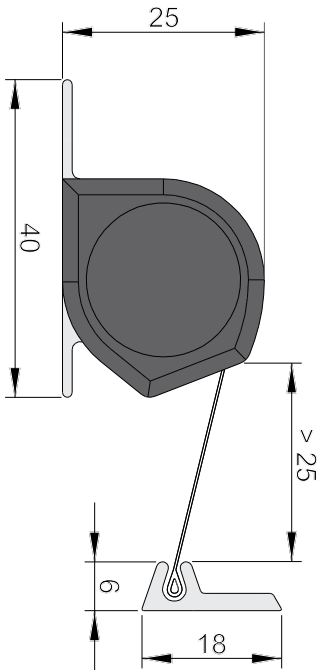


Installation continued

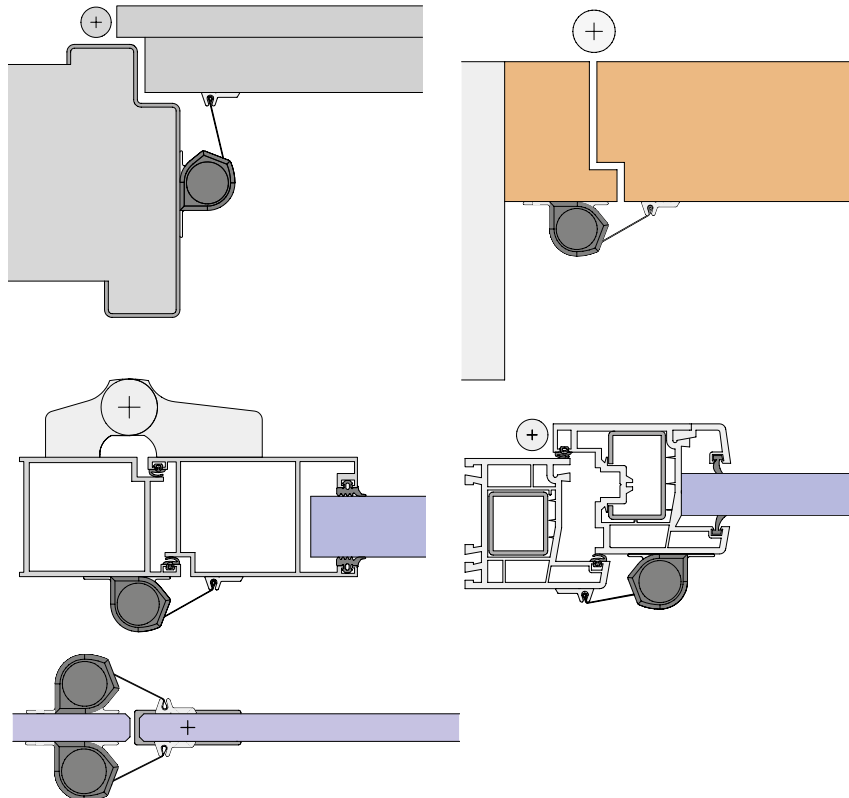
Technical Specification / Alternative installation applications



* 15-25 mm minimum distance required.

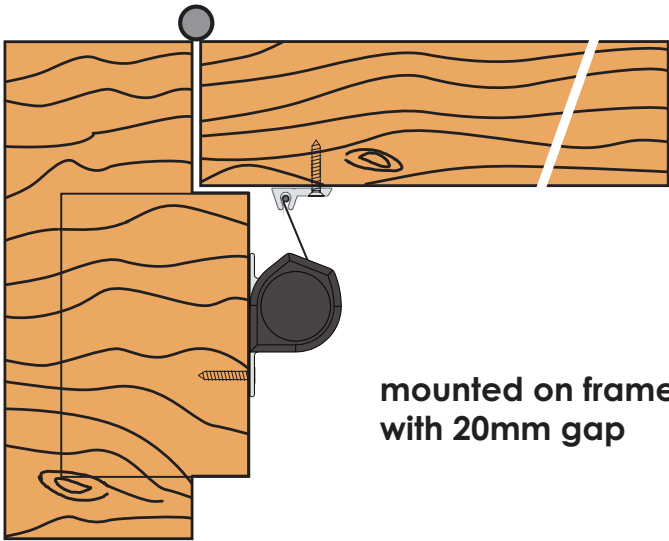


Finger Defender
Dimensions

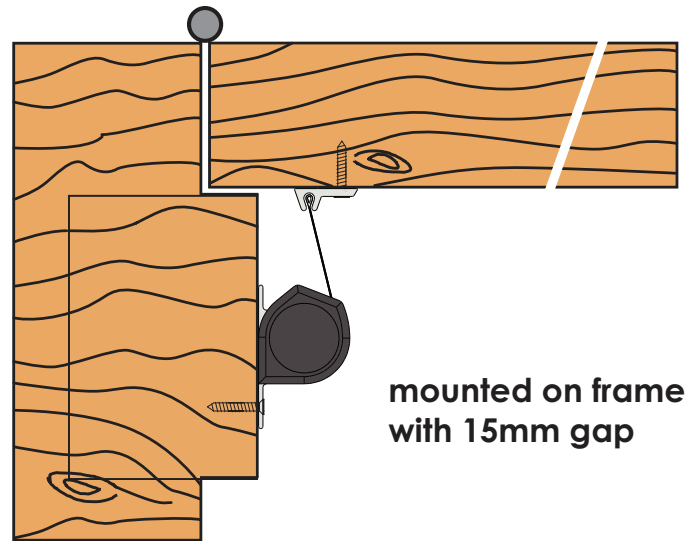


Installations for alternative door style / material.

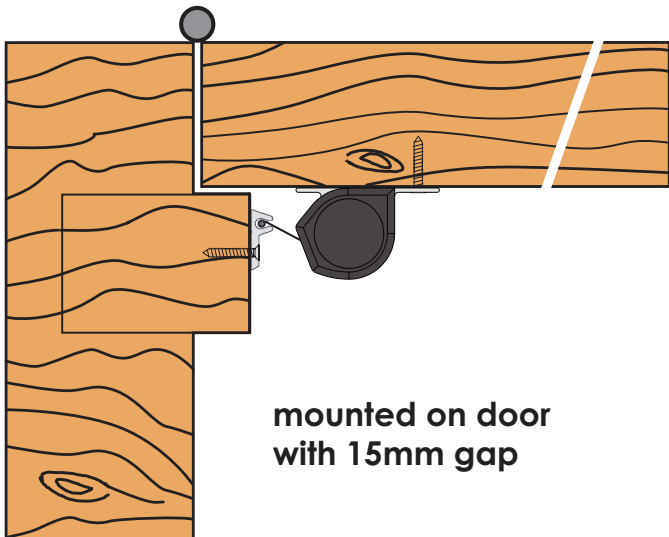
Installation continued



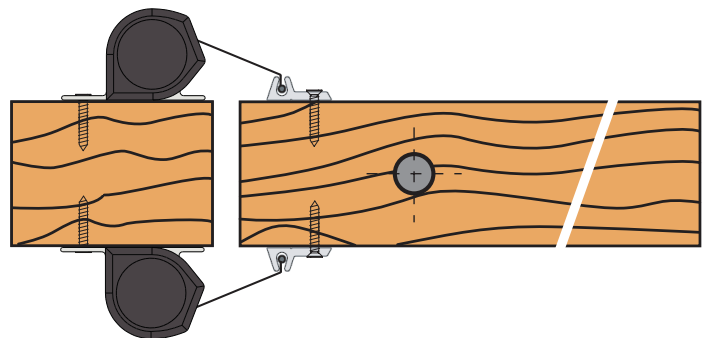
mounted on frame with 20mm gap



mounted on frame with 15mm gap



mounted on door with 15mm gap



mounted on both sides for centre pivot doors

Compliance

Astro Finger Defender is manufactured in the EU, meeting the highest quality standard in compliance with ISO EN 9001:2000.

Storage and disposal

Astro Finger Defender should be stored indoors. No shelf life is given as this product will not deteriorate in storage.

For further information on installation requirements please contact the technical team on: tel [01329 844 500](tel:01329844500) or email sales@astroflame.com

As part of our policy of ongoing improvements, we reserve the right to modify, alter or change product specifications without giving notice. Product illustrations are representations only. All information contained in this document is provided for guidance only, and as ASTROFLAME (FIRE SEALS) LTD has no control over the specific application or installation methods of the products, or of the prevailing site conditions, no warranties expressed or implied are intended to be given as to the actual performance of the products mentioned or referred to, and no liability whatsoever will be accepted for any loss, damage or injury arising from the use of the information given of products mentioned or referred to herein.

The above information to the best of our knowledge is true and accurate and based upon current test data and is supplied for your guidance only. Customers should satisfy themselves to the suitability of the product based on the products limitation of applications and that the product is fit for purpose for their intended use and no guarantee is given or implied since the conditions of actual use are beyond our control. ASTROFLAME (FIRE SEALS) LTD, disclaim any liability for loss, damage or other expense arising from the use of information, data or products mentioned or referred to and reserve the right to change any details or specifications without notice. If you are in any doubt as to the suitability of this product for your intended application please contact our technical team on 01329 844500 or email sales@astroflame.com and we will contact you.