

Product Data Sheet

Astro Finger Defender

Revision 7 - 5th May 2022



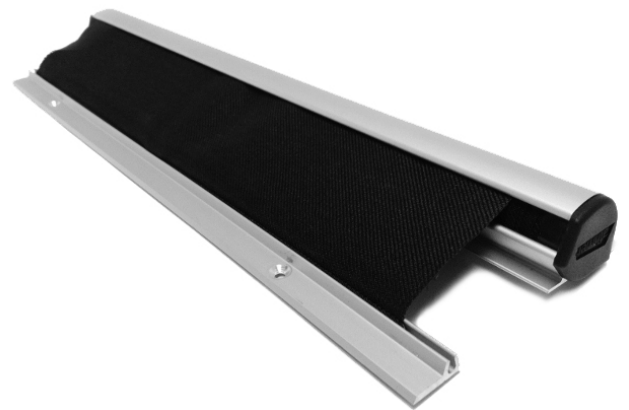
Astro Finger Defender

Finger Defender hinge guard

- Prevents finger trapping accidents.
- Suitable for automatic or manual operation doors.
- Suitable for most single or double-action doors.
- Extremely durable and maintenance free.
- Tested to over 1 million open & closing cycles.
- Fits most doors up to 180° opening depending on door configuration.
- Satin Anodised Aluminium, Dark Bronze Anodised or White as standard or any RAL colour on request.
- Standard length 1925mm with a maximum opening of 260mm.
- Longer version 2015mm meets EN16005:2012 for automatic doors.
- Tested to EN16654:2015 Child Protection Products.
- Tested to BS8613:2017 Finger Protection for Pedestrian Doors.
- **BRAND NEW** Black coloured Astro Finger Defender.



Astro Finger Defender shown on an opened door



A full length Astro Finger Defender



Front view of the Astro Finger Defender



Product Description

The Astro Finger Defender is a durable, high quality finger guard with discreet styling, suitable for most single and double-action doors, **including automated doors**. A resilient 'roller blind' style mechanism prevents fingers from entering the cavity formed between the edge of the door and door frame.

The blind fully retracts into the robust aluminium housing when the door is closed - unlike concertina style finger guard blinds that are exposed to impact damage when closed.

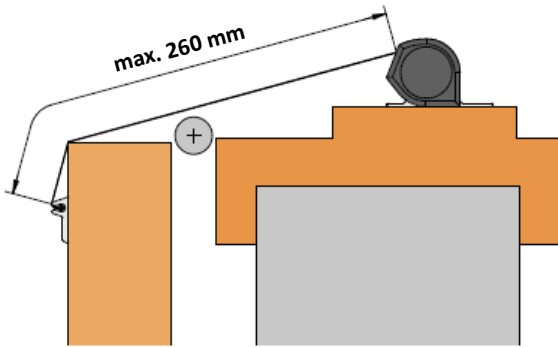
Also suitable for use with manually operated (non-automated) doors. This finger guard has concealed screw fixings and comes complete with end caps for that even neater finish.

Product Description

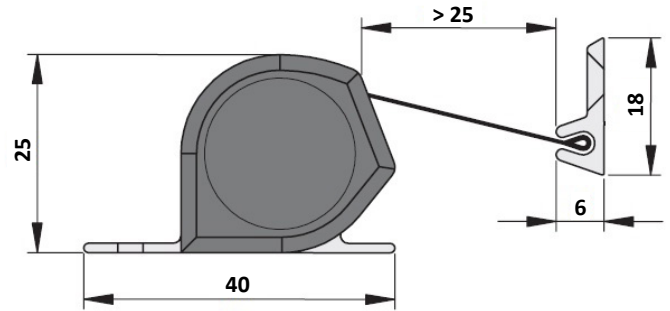
The aluminium housing is available in four standard finishes and any RAL colour on request. Independently tested to over 1 million opening & closing cycles.

Maximum opening: 260mm.

Astro Finger Defender (measurements in mm)



Astro Finger Defender (measurements in mm)



Product Availability

Available in a standard length 1925mm with a maximum opening of 260mm.

Stock finishes: Silver Anodised Finish, White, Dark Bronze or **Brand New Black**.

RAL colour coated versions and non standard lengths available to special order & subject to minimum order size.

The longer version 2015mm size guard complies with EN16005:2012 for automatic doors.

Standard Lengths			
Product Code	Description	Size	Colour
AFFDEFSAF	Astro Finger Defender	1925mm	Satin Anodised Aluminium
AFFDEFWHT	Astro Finger Defender	1925mm	White (RAL 9016)
AFFDEFDB	Astro Finger Defender	1925mm	Dark Bronze
AFFDEFBLK	Astro Finger Defender	1925mm	Black (RAL 9004)
AFFDEFCOL	Astro Finger Defender	1925mm	RAL Colours to Order

Longer Lengths			
Product Code	Description	Size	Colour
AFFDEFSAFX	Astro Finger Defender - Long	2015mm	Satin Anodised Aluminium
AFFDEFWHTX	Astro Finger Defender - Long	2015mm	White (RAL 9016)
AFFDEFDBX	Astro Finger Defender - Long	2015mm	Dark Bronze
AFFDEFCOLX	Astro Finger Defender - Long	2015mm	RAL Colours to Order

To Order & Specify

Please contact us and quote the following information - Quantity / Product Description / Product Code / Colour / Size
Typical wording - 10no / Astro Finger Defender / AFFDEFSAF / Satin Anodised Aluminium / 1925mm

>> Tel: [01329 844 500](tel:01329844500) or >> Email: sales@astroflame.com

Health and Safety

For further information on health and safety requirements please contact the technical team on: tel [01329 844 500](tel:01329844500)
or email sales@astroflame.com

Installation

For further information on installation please see the installation sheet or contact the technical team
on: tel [01329 844 500](tel:01329844500) or email sales@astroflame.com

As part of our policy of ongoing improvements, we reserve the right to modify, alter or change product specifications without giving notice. Product illustrations are representations only. All information contained in this document is provided for guidance only, and as ASTROFLAME (FIRE SEALS) LTD has no control over the specific application or installation methods of the products, or of the prevailing site conditions, no warranties expressed or implied are intended to be given as to the actual performance of the products mentioned or referred to, and no liability whatsoever will be accepted for any loss, damage or injury arising from the use of the information given of products mentioned or referred to herein.

The above information to the best of our knowledge is true and accurate and based upon current test data and is supplied for your guidance only. Customers should satisfy themselves to the suitability of the product based on the products limitation of applications and that the product is fit for purpose for their intended use and no guarantee is given or implied since the conditions of actual use are beyond our control. ASTROFLAME (FIRE SEALS) LTD, disclaim any liability for loss, damage or other expense arising from the use of information, data or products mentioned or referred to and reserve the right to change any details or specifications without notice. If you are in any doubt as to the suitability of this product for your intended application please contact our technical team on 01329 844500 or email sales@astroflame.com and we will contact you.