

Installation Sheet

Astro Finger Guardian

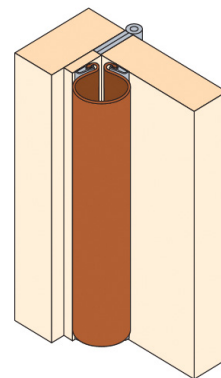
Revision 2 - 17th January 2020



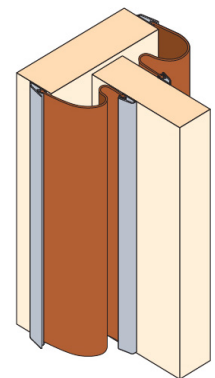
Astro Finger Guardian Front and Rear

Tools & Equipment

- Pencil
- Clean Cloth
- Degreaser
- Hacksaw
- Scissors or Knife
- Screw driver
- Drill



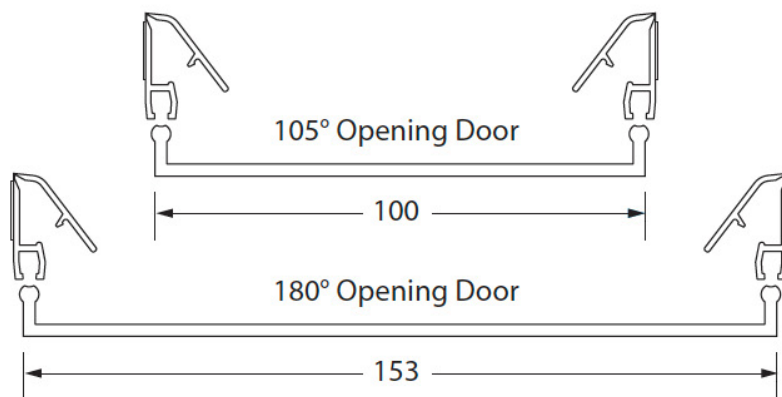
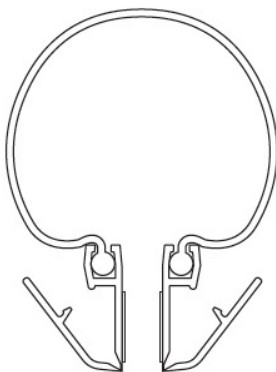
Hinged Door
Installation



Pivot Door
Installation

Introduction

If you need to cut to length leave 10mm clearance top and bottom. Use hacksaw to cut rigid profiles and sharp scissors or knife to cut flexible shield.

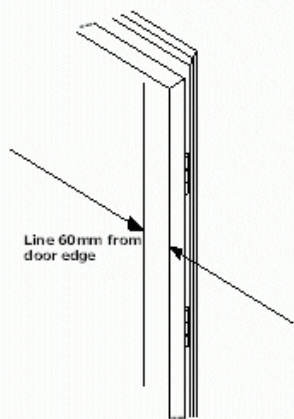


Ensure that the surfaces that the adhesive tape is to adhere to are free of dust or grease.

Please note that double sided tape is only a fitting aid and Finger Guardian should be fixed using screws provided before the guard is ready for normal operation.

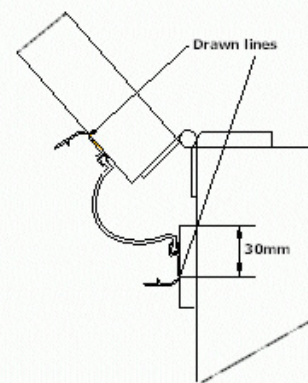
Installation

1



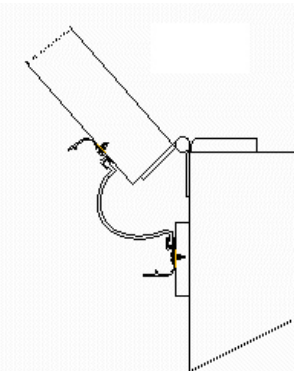
1. Draw a line vertically down the door 60mm from the hinge edge.

2



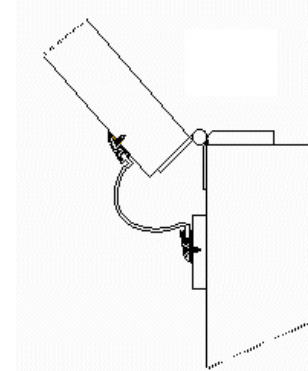
2. Remove tape backing from door side rigid profile and stick in position with outer edge on drawn line. Remove tape backing from other rigid profile and stick in position on door jamb

3



3. Unclip the cover strips and using the screws provided fix both sides of Finger Guardian in position with a screw every 150mm and with one no more than 25mm away from top and bottom.

4



4. Clip screw cap cover in place. Finished.

Storage and disposal

Astro Finger Guardian should be stored indoors. No shelf life is given as this product will not deteriorate in storage. For further information on installation requirements please contact the technical team on: tel [01329 844 500](tel:01329844500) or email sales@astroflame.com

As part of our policy of ongoing improvements, we reserve the right to modify, alter or change product specifications without giving notice. Product illustrations are representations only. All information contained in this document is provided for guidance only, and as ASTROFLAME (FIRE SEALS) LTD has no control over the specific application or installation methods of the products, or of the prevailing site conditions, no warranties expressed or implied are intended to be given as to the actual performance of the products mentioned or referred to, and no liability whatsoever will be accepted for any loss, damage or injury arising from the use of the information given of products mentioned or referred to herein.

The above information to the best of our knowledge is true and accurate and based upon current test data and is supplied for your guidance only. Customers should satisfy themselves to the suitability of the product based on the products limitation of applications and that the product is fit for purpose for their intended use and no guarantee is given or implied since the conditions of actual use are beyond our control. ASTROFLAME (FIRE SEALS) LTD, disclaim any liability for loss, damage or other expense arising from the use of information, data or products mentioned or referred to and reserve the right to change any details or specifications without notice. If you are in any doubt as to the suitability of this product for your intended application please contact our technical team on 01329 844500 or email sales@astroflame.com and we will contact you.