

Product Data Sheet

Astro Finger Protecta

Revision 5 - 5th February 2019

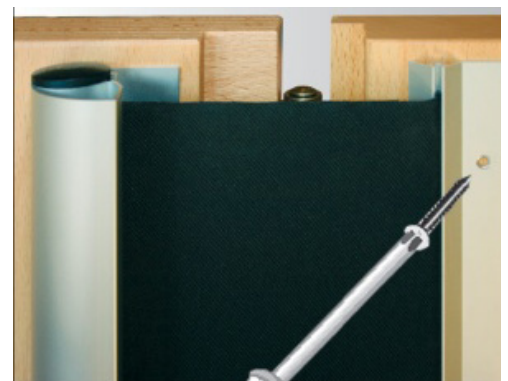
Astro Finger Protecta

Finger Protecta hinge guard

- A Finger Guard for Automatic Doors.
- Very high quality 'roller blind' type door finger guard.
- In Satin Anodised Aluminium, White or Dark Bronze Anodised finishes.
- Extremely durable and maintenance free. Features an easy clean aluminium housing.
- Fits most doors up to 180° opening depending on door configuration.
- Suitable for manual or automated doors.
- Suitable for most single or double-action doors.
- The guard has been tested to over 1 million open and closing cycles.
- 260mm suitable for 180 degree opening - extra wide 320mm available for wider sections.
- Tested to EN16654:2015 Child Protection Products.
- Tested to BS8613:2017 Finger Protection for Pedestrian Doors.



Astro Finger Protecta shown on an opened door



Astro Finger Protecta installation

Product Description

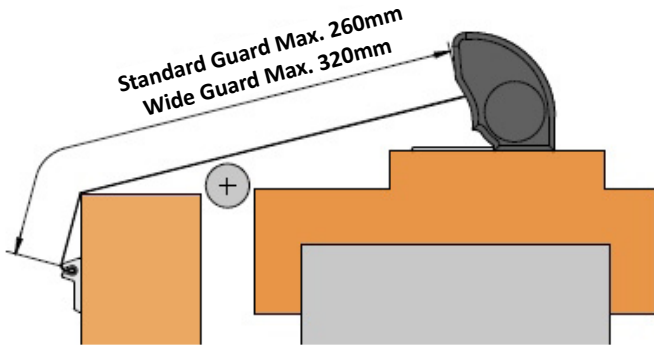
Astro Finger Protecta uses a high quality housing and a resilient fabric blind in a 'roller' type mechanism to prevent finger trapping accidents in doors. The blind covers the hinge gap when the door is opened and retracts into the robust aluminium housing when the door is closed. The retractor mechanism makes for a tidy and robust guard which is not exposed to potential damage in the way that concertina style guards are - even when in the closed position.

Independently tested to over 1 million opening & closing cycles. This hinge guard comes complete with end caps for a neat finish. This finger guard is at the higher end of the price range but we think it represents good value and sample lengths are available so that the quality of manufacture and colours can be assessed.

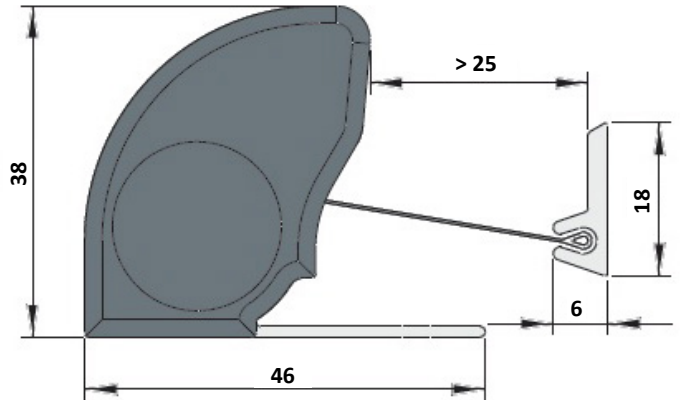
Product Description

Styled to blend in with high quality decor (RAL colour matching is available) the guard has concealed screw fixings and comes complete with end caps for a neat finish.

Astro Finger Protecta (measurements in mm)



Astro Finger Protecta (measurements in mm)



Product Availability

Standard size 1925mm.

Guard Material Widths: 260mm to suit up 180 degree doors or 320mm for wider sections depending on door configuration.

Housing colours: Satin Anodised Aluminium, White, Dark Bronze Anodised or any RAL colour.

Custom RAL colours and lengths subject to minimum order quantity.

Standard Blinds

Product Code	Description	Size	Colour
AFFPROSAF	Astro Finger Protecta	1925mm	Satin Anodised Aluminium
AFFPROWHT	Astro Finger Protecta	1925mm	White (RAL 9016)
AFFPRODB	Astro Finger Protecta	1925mm	Dark Bronze
AFFPROCOL	Astro Finger Protecta	1925mm	RAL Colours to Order

Wider Blinds

Product Code	Description	Size	Colour
AFFPROSAFWB	Astro Finger Protecta - Wide Blind	1925mm	Satin Anodised Aluminium
AFFPROWHTWB	Astro Finger Protecta - Wide Blind	1925mm	White (RAL 9016)
AFFPRODBWB	Astro Finger Protecta - Wide Blind	1925mm	Dark Bronze
AFFPROCOLWB	Astro Finger Protecta - Wide Blind	1925mm	RAL Colours to Order

To Order & Specify

Please contact us and quote the following information - Quantity / Product Description / Product Code / Colour / Size
Typical wording - 10no / Astro Finger Protecta / AFFPROSAF / Satin Anodised Aluminium / 1925mm

>> Tel: [01329 844 500](tel:01329844500) or >> Email: sales@astroflame.com

Health and Safety

For further information on health and safety requirements please contact the technical team on: tel [01329 844 500](tel:01329844500)
or email sales@astroflame.com

Installation

For further information on installation please see the installation sheet or contact the technical team
on: tel [01329 844 500](tel:01329844500) or email sales@astroflame.com

As part of our policy of ongoing improvements, we reserve the right to modify, alter or change product specifications without giving notice. Product illustrations are representations only. All information contained in this document is provided for guidance only, and as ASTROFLAME FIRESEALS LTD has no control over the installation methods of the products, or of the prevailing site conditions, no warranties expressed or implied are intended to be given as to the actual performance of the products mentioned or referred to, and no liability whatsoever will be accepted for any loss, damage or injury arising from the use of the information given of products mentioned or referred to herein.

The above information to the best of our knowledge is true and accurate and based upon current test data and is supplied for your guidance only. Customers should satisfy themselves to the suitability of the product in its intended use and no guarantee is given or implied since the conditions of actual use are beyond our control. ASTROflame (Fireseals) Ltd, disclaim any liability for loss, damage or other expense arising from the use of information, data or products mentioned or referred to and reserve the right to change any details or specifications without notice.