

# Installation Sheet

## Astro Aluminium Door Edge Guard

Revision 2 - 21st June 2019

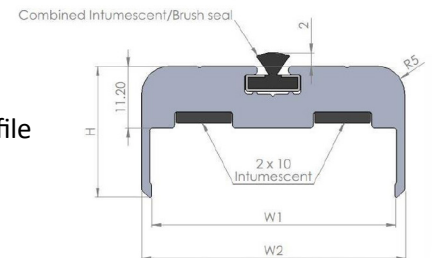


## Finger Keeper Commercial Tools & Equipment

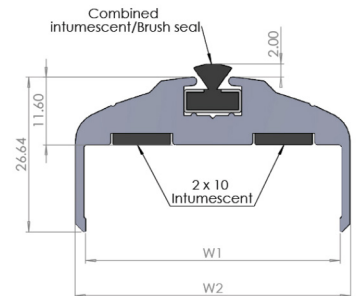
- Measuring Tape
- Carpenters Pencil
- Hacksaw
- Screw Driver



DEGF Square Profile



DEGR Rounded Profile



### Introduction

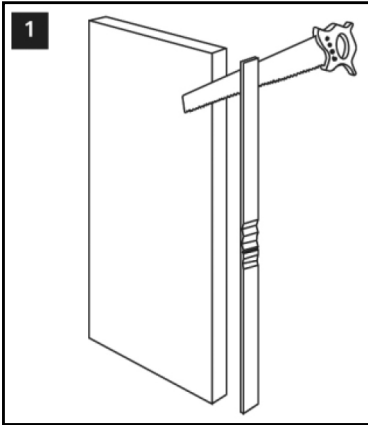
Door Edge Guards contain intumescent & smoke seals and have been fully fire tested up to 1/2 or 1 hours and eliminate the need for repetitive maintenance.

Please read this instruction carefully before installing and using the device. The protective function and any possible guarantee of the device might be affected if you do not follow the instructions. Pass the instructions to the end user for future reference.

**WARNING – REPLACE THE DEVICE IF ANY PART IS BROKEN, TORN OR MISSING**

## Installation

**Fixing Pack Includes:** 2nr Brush retaining clips, 12nr 3 x 45 screws(A&B Style), 12nr 2"x 8 (E style), 4nr 4x5/8csk Pozi Woodscrews.



For single or double doors, leading or hanging stiles, ensure doors are hung correctly, on suitable hinges and that the right door has been fitted. If in any doubt please contact our technical department for help

In situ, mark off the required depth to leave a 26mm overall gap between meeting door edges. If fitting profile of a single door 13mm to be removed.

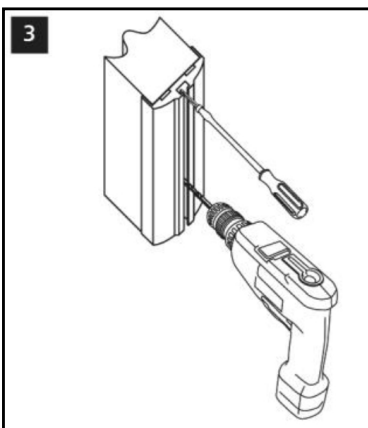
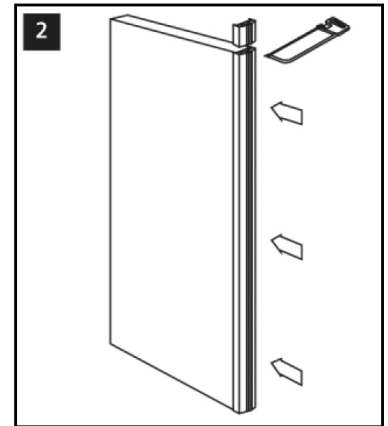
Carefully remove door to a working area

Remove by means of a suitable saw or plane, the surplus door edge.

Cut profile and brush seal lengths to match dimensions of prepared door edges

Remove all sharp edges by means of a line file or other suitable fine abrasive

Remove the brush seal



Fix the profile into position using the 12nr 3 x 45 screws(A&B Style)

12nr 2"x 8 (E style)

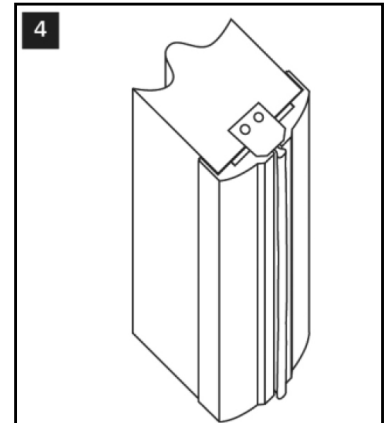
Replace brush seal

## Installation

Fasten brush retaining plates at top and bottom of door with the 4nr 4x5/8 screws provided

If plates cannot be fitted, secure seal by inserting a self drilling csk screw between back of pvc seal case and back of aluminium channel

Re-hang door



## Storage and disposal

Astro Aluminium Door Edge Guard should be stored indoors. No shelf life is given as this product will not deteriorate in storage. For further information on installation requirements please contact the technical team

on: tel [01329 844 500](tel:01329844500) or email [sales@astroflame.com](mailto:sales@astroflame.com)

As part of our policy of ongoing improvements, we reserve the right to modify, alter or change product specifications without giving notice. Product illustrations are representations only. All information contained in this document is provided for guidance only, and as ASTROFLAME FIRESEALS LTD has no control over the installation methods of the products, or of the prevailing site conditions, no warranties expressed or implied are intended to be given as to the actual performance of the products mentioned or referred to, and no liability whatsoever will be accepted for any loss, damage or injury arising from the use of the information given of products mentioned or referred to herein.

The above information to the best of our knowledge is true and accurate and based upon current test data and is supplied for your guidance only. Customers should satisfy themselves to the suitability of the product in its intended use and no guarantee is given or implied since the conditions of actual use are beyond our control. ASTROflame (Fireseals) Ltd, disclaim any liability for loss, damage or other expense arising from the use of information, data or products mentioned or referred to and reserve the right to change any details or specifications without notice.