

Product Data Sheet

Astro FRA Socket Box Insert

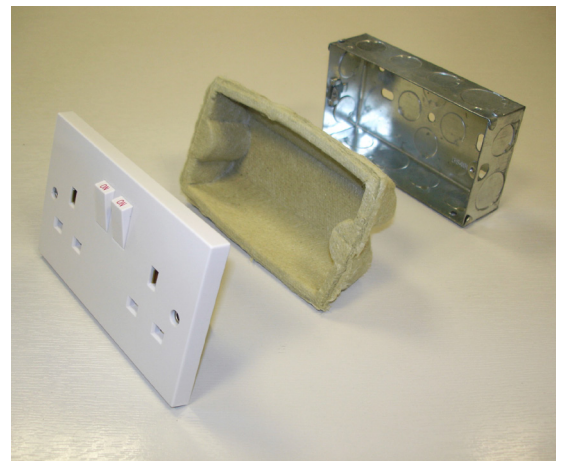
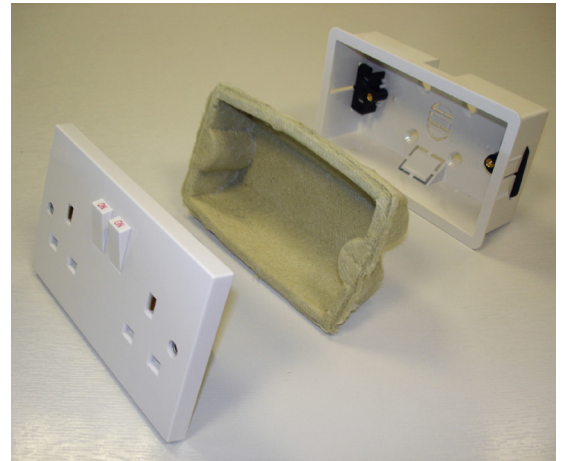
Revision 5 - 8th February 2019



Astro FRA Socket Box Insert

Fire & Acoustic Internal Socket Box Insert

- Easy to install putty pad alternative.
- Single and Double socket sizes available.
- Tested to BS EN 1363-1 | BS EN 1364-1 for up to 120 mins.
- Provides an effective acoustic barrier to both impact and airborne sounds.
- Maintains the fire protection performance of the wall- preventing or delaying the spread of fire.
- Prevents or delays fire from entering a wall cavity and attacking the building structure.
- The inserts are pre-formed to fit all common socket box types.
- Simple and fast mechanical fixing, no adhesives, no mess.
- Can be retro fitted to existing sockets / switches or fitted during wall construction.
- Replaces time consuming plasterboard lining of sockets / switches
- The Socket box insert can be removed and replaced if additional wiring is required.



- Acoustic Tested to BS EN ISO 140-3: 1995 and BS EN ISO 717-1: 1997.
- Unique flanged design holds the socket box insert in place during a fire

Product Description

Socket Box Inserts are used to restore the fire rating of a wall otherwise compromised by apertures and gaps following the fitting of socket boxes. This design also restores the acoustic and thermal performance of the wall and its air-tightness.

Inserts are quick and easy to fit in comparison with traditional putty pads.

Once a hole is made in the wall for a recessed switch or socket box, the integrity of the construction and its ability to perform in a fire can be significantly reduced. The acoustic performance of the wall is also affected and air leakage will increase.

Air leakage allows heat loss and noise transmission. A single socket can leak over 3.5 cubic metres of air per hour and the combined air leakage of all the sockets in a room can create significant thermal loss.

The graph opposite show how our socket box inserts improve air-tightness at normal room air pressures. A correctly fitted insert can almost match the performance of an unpenetrated wall.

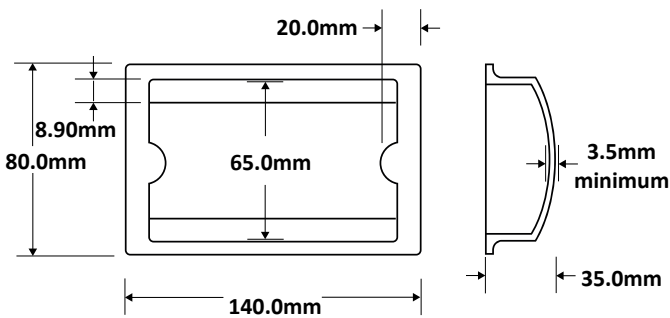
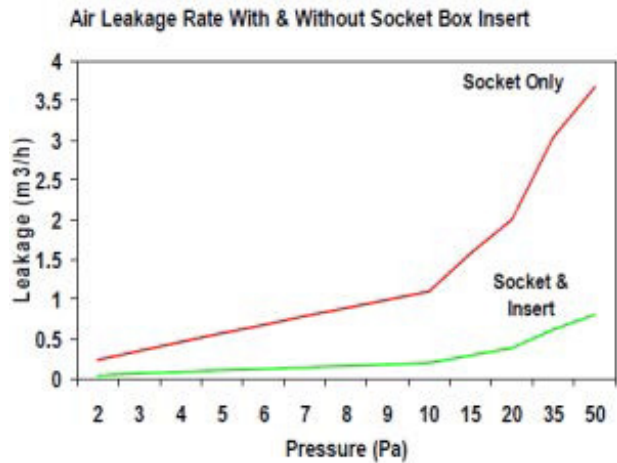
The material used to construct the socket insert is a good insulator, which further prevents heat loss and maintain insulation continuity of the wall.

Acoustic performance is good, being rated at -67dB

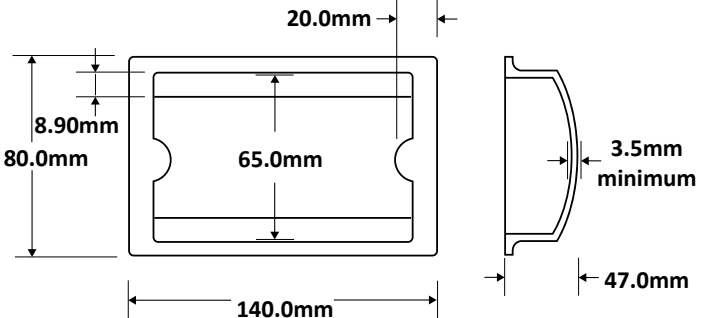
The socket box inserts are quicker and easier to fit than traditional putty pads. In a fire the inserts flanged design ensures that the fire resistant material remains in place to limit the spread of fire through the socket penetration.

Astro FRA Socket Box Inserts are designed to fit common plastic / metal single / double socket box sizes.

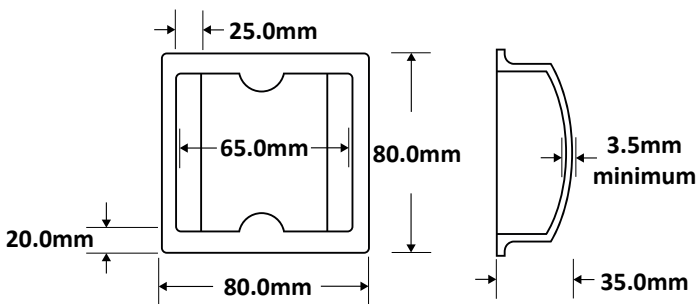
Socket Box Insert measurements (in mm):



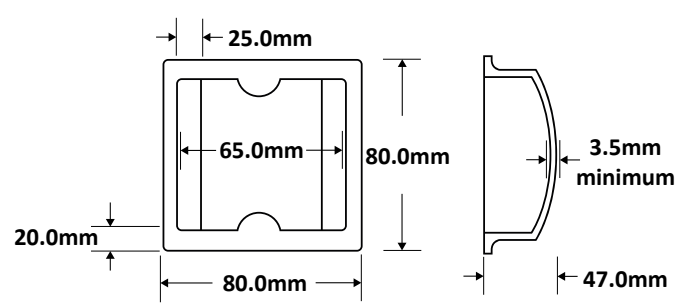
FRA Socket Box Insert Double
35mm Deep (AFFRASOCDIN)



FRA Socket Box Insert Double
47mm Deep (AFFRASOCDINX)



FRA Socket Box Insert Single
35mm Deep (AFFRASOCSIN)



FRA Socket Box Insert Double
47mm Deep (AFFRASOCSINX)

Product Availability

Product Code	Product Description	Depth
AFFRASOCSIN	Astro FRA Socket Box Insert Single	35mm
AFFRASOCDIN	Astro FRA Socket Box Insert Double	35mm
AFFRASOCSINX	Astro FRA Socket Box Insert Single Extra Deep	47mm
AFFRASOCDINX	Astro FRA Socket Box Insert Double Extra Deep	47mm

To Order & Specify

Please contact us and quote the following information - Quantity / Product Code / Product Description / Size
Typical example:- 10 / AFFRASOCSIN / Astro FRA Socket Box Insert Single / Single

>> Tel: [01329 844 500](tel:01329844500) or >> Email: sales@astroflame.com

Installation

Please see installation sheet - This can be requested from our sales team T: [01329 844 500](tel:01329844500)
or E: sales@astroflame.com

Health and Safety

Please see (SDS) Safety Data sheet - This can be requested from our sales team T: [01329 844 500](tel:01329844500)
or E: sales@astroflame.com

As part of our policy of ongoing improvements, we reserve the right to modify, alter or change product specifications without giving notice. Product illustrations are representations only. All information contained in this document is provided for guidance only, and as ASTROFLAME FIRESEALS LTD has no control over the installation methods of the products, or of the prevailing site conditions, no warranties expressed or implied are intended to be given as to the actual performance of the products mentioned or referred to, and no liability whatsoever will be accepted for any loss, damage or injury arising from the use of the information given of products mentioned or referred to herein.

The above information to the best of our knowledge is true and accurate and based upon current test data and is supplied for your guidance only. Customers should satisfy themselves to the suitability of the product in its intended use and no guarantee is given or implied since the conditions of actual use are beyond our control. ASTROflame (Fireseals) Ltd, disclaim any liability for loss, damage or other expense arising from the use of information, data or products mentioned or referred to and reserve the right to change any details or specifications without notice.